



CATALOGUE 2025-2026



Light up with us!

OEM





"TRAXON is official licensee for OSRAM Trademark

AUTHORIZED DISTRIBUTOR CERTIFICATE

This is to certify that the company:

HKD LIGHTING COMPANY LTD.

44 Nguyen Dinh Chieu, Da Kao Ward, District 1,
Ho Chi Minh City 70000, Vietnam

is the official distributor of

OSRAM BRANDED GENERAL LIGHTING

in

VIETNAM

This certificate is valid from

1st January 2024 to 31st December 2024

Jack Cheng

CEO



TRAXON | e2cue

MEMBER OF PROSPERITY GROUP

inventronics

CERTIFICATE OF AUTHORIZATION

We are proud to announce our partnership with
**HKD LIGHTING COMPANY
LIMITED**

as an authorized Business Partner, who is officially authorized to
resell and distribute Inventronics Brand Products.

Authorized Territory: Asia

Authorized Products: Inventronics Brand Products

Authorization Period: 01 Jan 2026 – 31 Dec 2026

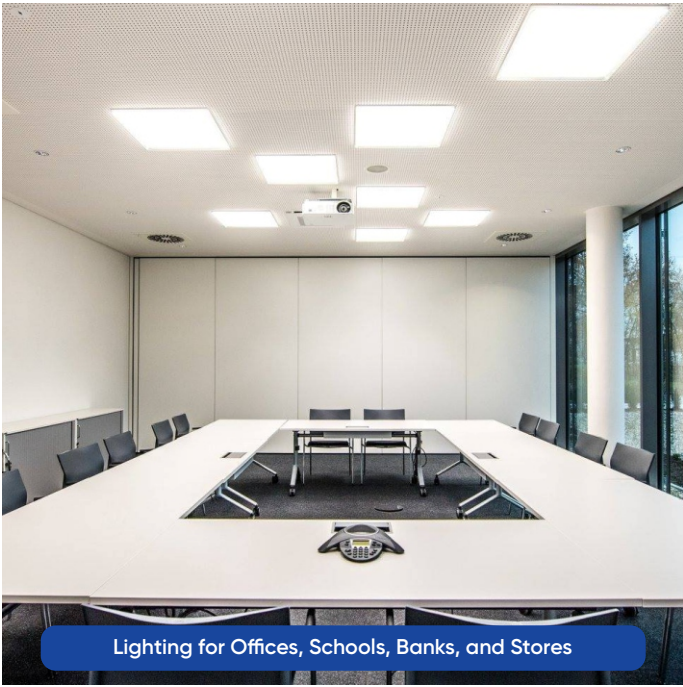


Hui Zhang
Head of Sales, APAC (excluding China & India)
Inventronics(Hangzhou),Inc



Scan the QR code to verify authenticity
Inventronics(Hangzhou),Inc

Building a Brighter Future



Lighting for Offices, Schools, Banks, and Stores

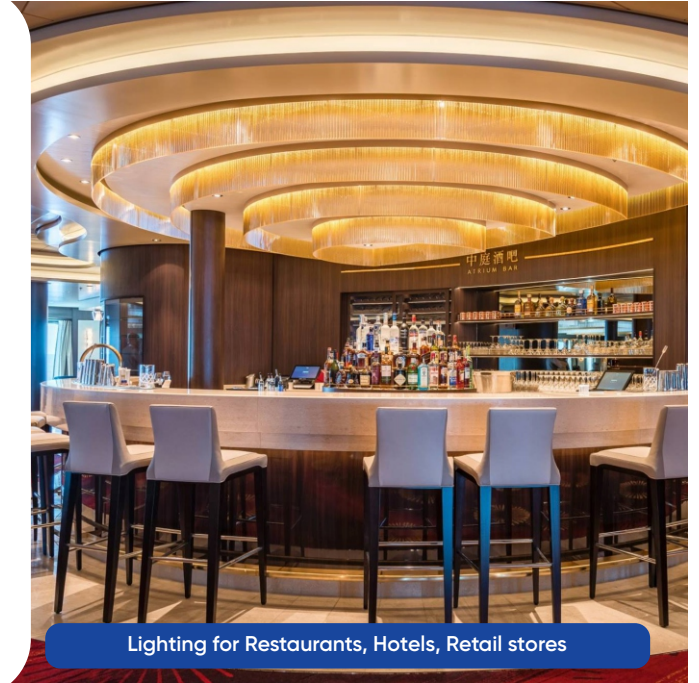


Lighting for Decorative, Architectural and Shopping malls

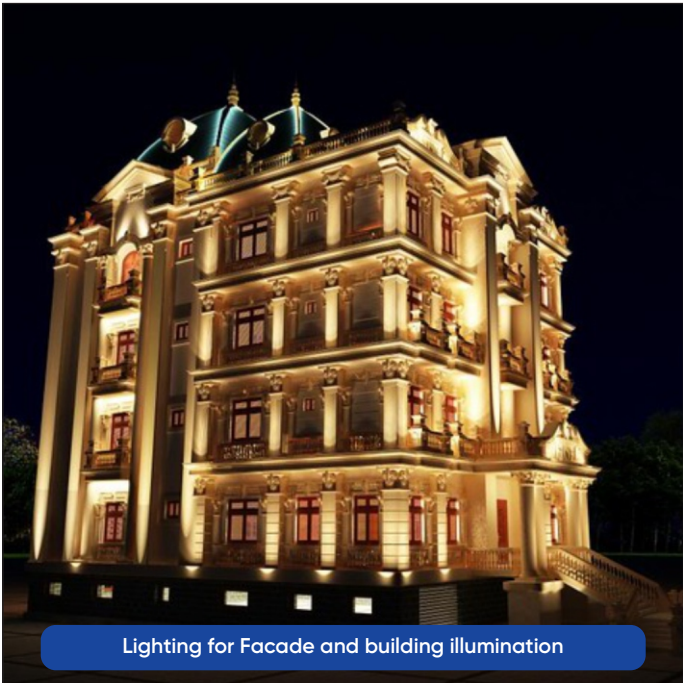


Lighting for Resort, Metro stations, Shopping Mall

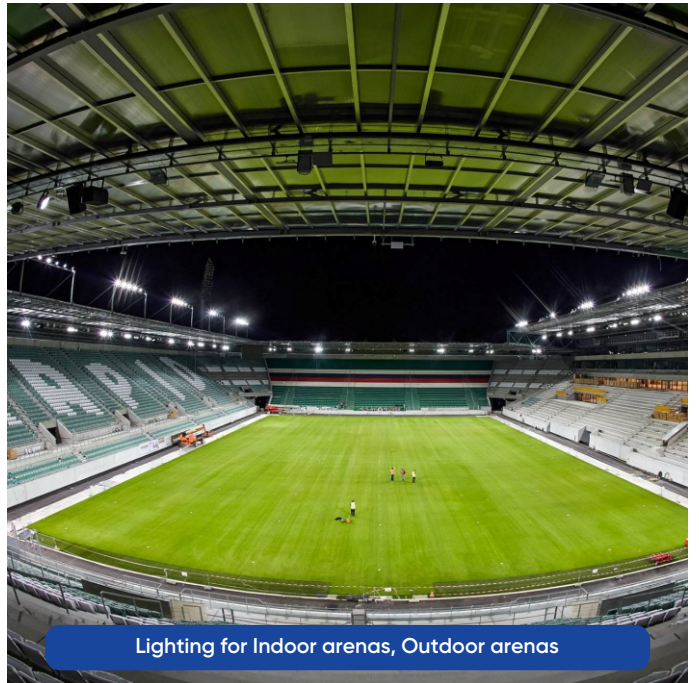
Lighting Applications



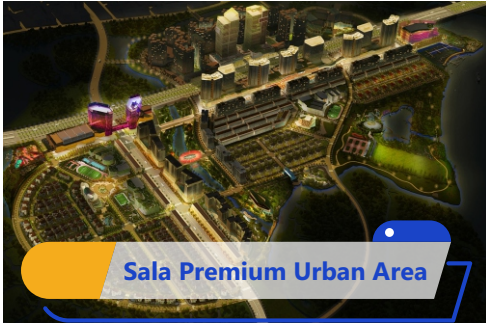
Lighting for Restaurants, Hotels, Retail stores



Lighting for Facade and building illumination



Lighting for Indoor arenas, Outdoor arenas



Sala Premium Urban Area



Emart Supermarket Sala & Phan Huy Ich



Porsche Showroom - District 7



Tam Chuc Pagoda - Ha Nam



Golden Pagoda - Ninh Binh



Bai Dinh Pagoda - Ninh Binh



Vinfast Factory - Hai Phong



TCL Factory - Binh Duong



DenEast Factory - Binh Duong



VIFON Factory - Hai Duong



WINGA Factory - Tay Ninh



MDF Production Factory - Kien Giang



Binh Duong New City Guest House



CP Factory - Cu Chi



Caravelle Hotel - Ho Chi Minh City



Audi Showroom - Hanoi



Big C Supermarket - District 7



3 Vinamilk Dairy Factories



LED Recessed Spotlight – HKD-DL33 series utilizes LED chips and drivers from leading global lighting brands, delivering superior illumination solutions for hotels, shopping centers, offices, and public spaces. Built with premium durable aluminum and an adjustable beam angle, it ensures high efficiency, crisp lighting, and minimal glare. The series is available in a variety of sizes, wattages, and beam angles, offering flexible options to enhance spatial design, improve visual comfort, and create a refined atmosphere.

OSRAM

PHILIPS

inventronics

San'an

bridgelux

LIFUD

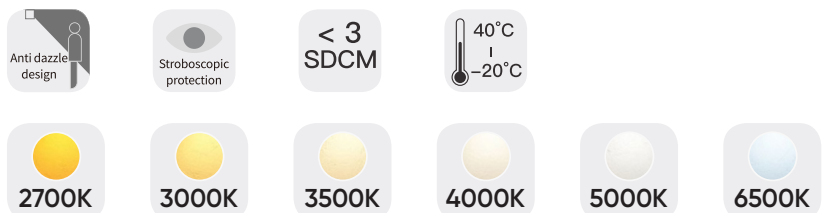


SIZE



Applications

Hotel, Shopping Mall, Office buildings, Retail stores, Airports, Metro stations, Public buildings...



Safety Approval: Electrical Protection Class II, CB, CCC

www.hkd.com.vn

HKD Lighting Company Limited



PRODUCT PARAMETERS

Customized Solutions Available

Model No	Power	Size (DxH)	Cut-out	CRI	Lumen
HKD-DL33-02-8	8W	Ø 88x102mm	Ø 75-80mm	90	800lm
HKD-DL33-02-12	12W	Ø 88x102mm	Ø 75-80mm		1200lm
HKD-DL33-02-20	20W	Ø 115x125mm	Ø 95-105mm		2000lm
HKD-DL33-02-30	30W	Ø 135x155mm	Ø 115-125mm		3000lm
HKD-DL33-02-50	50W	Ø 165x185mm	Ø 140-155mm		5000lm
HKD-DL33-02-60	60W	Ø 190x215mm	Ø 160-180mm		6000lm
HKD-DL33-02-80	80W	Ø 215x240mm	Ø 180-205mm		8000lm
HKD-DL33-02-120	120W	Ø 240x270mm	Ø 200-230mm		12000lm

Aluminum radiator



Circular spring spotlights





LED
COB
Spot Light

The LED Recessed Spotlight – HKD-SP42 is a premium lighting solution that combines a compact design with outstanding illumination performance. Crafted from high-quality materials and fully compliant with international standards, it ensures superior durability and safety. The product can be customized flexibly according to customer requirements, offering optimal adaptability for various lighting applications. With its refined design and exceptional light performance, the HKD-SP42 delivers vivid, true-to-life illumination that enhances architectural aesthetics and creates striking focal points – an ideal choice for both residential and commercial projects.

OSRAM**PHILIPS**

inventronics

A San'an

bridgelux®

LIFUD



DETAIL

On/Off

Triac/0 · 1-10V

STYLE

Cover:
Black/White

APPLICATIONS

Hotel, Shopping Mall, Office buildings, Retail stores, Airports, Metro stations, Public buildings...

PRODUCT PARAMETERS

Customized Solutions Available

Model No	Power	Size (DxH)	Cut-out	CRI	Lumen
HKD-SP42-4W	4W	Ø 63x63mm	Ø 55mm	90	400lm
HKD-SP42-6W	6W				600lm
HKD-SP42-8W	8W	Ø 85x77mm	Ø 75mm		800lm
HKD-SP42-10W	10W				1000lm
HKD-SP42-12W	12W				1200lm
HKD-SP42-15W	15W	Ø 85x82mm Ø 130x115mm	Ø 75mm Ø 110mm		1500lm
HKD-SP42-16W	16W	Ø 109x99mm Ø 130x115mm	Ø 90mm Ø 110mm		1600lm
HKD-SP42-18W	18W				1800lm
HKD-SP42-20W	20W				2000lm
HKD-SP42-25W	25W				2500lm
HKD-SP42-30W	30W	Ø 130x115mm	Ø 110mm		3000lm



LED
COB
Spot Light

The LED Recessed Spotlight – HKD-SP52 is a premium lighting solution that combines a compact design with exceptional illumination performance. Available in nine power options, it meets diverse lighting needs with flexibility. Featuring a high color rendering index (CRI 90), it delivers true-to-life, vibrant light that enhances the visual appeal of any environment. With its sleek design, reliable efficiency, and superior light quality, the HKD-SP52 is perfect for creating striking focal points while elevating both aesthetics and functionality.

OSRAM

PHILIPS

inventronics

San'an

bridgelux®

LiFUD



DETAIL

CRI 90+

100
lm/W

Lifetime
50.000
hrs

220-240
V AC
50/60Hz

IP20

< 3
SDCM

2700K

3000K

3500K

4000K

5000K

6500K

15°

24°

36°

60°

Anti dazzle
design

No
Flickering

40°C
|
-20°C

UGR<10

On/Off

Triac/0 · 1-10V

STYLE

Sand White

Gun Black

Bright Silver

Cover:
Black/White

APPLICATIONS

Hotel, Shopping Mall, Office buildings, Retail stores, Airports, Metro stations, Public buildings...

PRODUCT PARAMETERS

Customized Solutions Available

Model No	Power	Size (DxH)	Cut-out	CRI	Lumen
HKD-SP52-4W	4W	Ø 63x63mm	Ø 55mm	90	400lm
HKD-SP52-6W	6W				600lm
HKD-SP52-8W	8W	Ø 85x76mm	Ø 75mm		800lm
HKD-SP52-10W	10W				1000lm
HKD-SP52-12W	12W				1200lm
HKD-SP52-10W	10W	Ø 109x99mm	Ø 90mm		1000lm
HKD-SP52-12W	12W				1200lm
HKD-SP52-14W HKD-SP52-16W	14W 16W				1400lm 1600lm
HKD-SP52-18W HKD-SP52-20W	18W 20W				1800lm 2000lm
HKD-SP52-20W	20W	Ø 130x115mm	Ø 110mm		2000lm
HKD-SP52-25W	25W				2500lm
HKD-SP52-30W	30W				3000lm



LED COB Spot Light

The LED Recessed Spotlight - HKD-SP60 is an ideal lighting solution, combining a sturdy design with exceptional illumination performance. With nine power options, it meets various lighting needs. Its sophisticated and efficient design provides high-quality lighting while enhancing the space and creating a striking focal point. Perfect for spotlight applications, this product elevates both aesthetics and functionality in any setting.

OSRAM

PHILIPS

inventronics

San'an

bridgelux®

LiFUD



DETAIL

< 3 SDCM icon"/>

STYLE

Sand White

Gun Black

Bright Silver

APPLICATIONS

Hotel, Shopping Mall, Office buildings, Retail stores, Airports, Metro stations, Public buildings...

PRODUCT PARAMETERS

Customized Solutions Available

Model No	Power	Size (DxH)	Cut-out	CRI	Lumen
HKD-SP60-12W	12W	Ø 114x68mm	Ø 90mm	90	1200lm
HKD-SP60-14W	14W				1400lm
HKD-SP60-16W	16W				1600lm
HKD-SP60-16W	16W	Ø 140x74mm	Ø 120mm		1600lm
HKD-SP60-18W	18W				1800lm
HKD-SP60-20W	20W				2000lm
HKD-SP60-25W	25W				2500lm
HKD-SP60-30W	30W	Ø 184x80mm	Ø 150mm		3000lm
HKD-SP60-36W	36W				3600lm



LED
COB
Spot Light

The LED Spotlight - HKD-SP62 is an ideal lighting solution, combining a sturdy design with exceptional illumination performance. With nine power options, it meets various lighting needs. Its sophisticated and efficient design provides high-quality lighting while enhancing the space and creating a striking focal point. Perfect for spotlight applications, this product elevates both aesthetics and functionality in any setting.

OSRAM

PHILIPS

inventronics

San'an

bridgelux

LiFUD



DETAIL

APPLICATIONS

Hotel, Shopping Mall, Office buildings, Retail stores, Airports, Metro stations, Public buildings...

PRODUCT PARAMETERS

Customized Solutions Available

Model No	Power	Size (DxH)	Hole	CRI	Lumen
HKD-SP62-6W	6W	Ø 95x45mm	Ø 75mm	90	600lm
HKD-SP62-8W	8W	Ø 115x48mm	Ø 90mm		800lm
HKD-SP62-10W	10W				1000lm
HKD-SP62-12W	12W				1200lm
HKD-SP62-15W	15W				Ø 140x60mm
HKD-SP62-18W	18W	1800lm			
HKD-SP62-15W	15W	Ø 165x60mm	Ø 150mm		1500lm
HKD-SP62-18W	18W				1800lm
HKD-SP62-20W	20W				2000lm
HKD-SP62-25W	25W				Ø 190x60mm
HKD-SP62-30W	30W	Ø 230x72mm	Ø 200mm		3000lm
HKD-SP62-40W	40W				4000lm



LED
COB
Spot Light

The HKD-SP62-WP LED Spotlight is a premium accent lighting solution designed for high performance and durability. Featuring **IP65** waterproof protection, it is ideal for humid and semi-outdoor environments. With multiple power options and advanced LED technology, it delivers focused, high-quality illumination with excellent energy efficiency. Its sleek and robust design enhances visual impact, making it perfect for showrooms, retail spaces, and architectural lighting applications.

OSRAM

PHILIPS

inventronics

LUMILEDS

bridgelux

LiFUD



DETAIL

-
-
-
-
-
- < 3 SDCM icon"/>
-
-
-
-
-
-
-
-
-
-
-
-

On/Off

Dimmable (Triac / 0-10V / DALI)

No Flickering

40°C / -20°C

APPLICATIONS

Hotel, Shopping Mall, Office buildings, Retail stores, Airports, Metro stations, Public buildings...

PRODUCT PARAMETERS

Customized Solutions Available

Model No	Power (W)	Luminous Flux (lm)	Size (DxH) mm	Cut-out (mm)	Beam Angle	CCT (K)
HKD-SP62-WP-8W	8	800	D115×H48	Ø 90	24° 36° 45° 60° 100°	2700 3000 3500 4000 5000 6500
HKD-SP62-WP-10W	10	1000				
HKD-SP62-WP-12W	12	1200				
HKD-SP62-WP-14W	14	1400	D145×H60	Ø 125		
HKD-SP62-WP-16W	16	1600				
HKD-SP62-WP-18W	18	1800				
HKD-SP62-WP-20W	20	2000	D165×H60	Ø 150		
HKD-SP62-WP-25W	25	2500				
HKD-SP62-WP-30W	30	3000	D230×H72	Ø 200		
HKD-SP62-WP-40W	40	4000				



LED
COB
Spot Light

The LED Spotlight - HKD-SP65 is an ideal lighting solution, combining a sturdy design with exceptional illumination performance. With nine power options, it meets various lighting needs. Its sophisticated and efficient design provides high-quality lighting while enhancing the space and creating a striking focal point. Perfect for spotlight applications, this product elevates both aesthetics and functionality in any setting.

OSRAM

PHILIPS

inventronics

San'an

bridgelux®

LiFUD



DETAIL

< 3 SDCM icon"/>

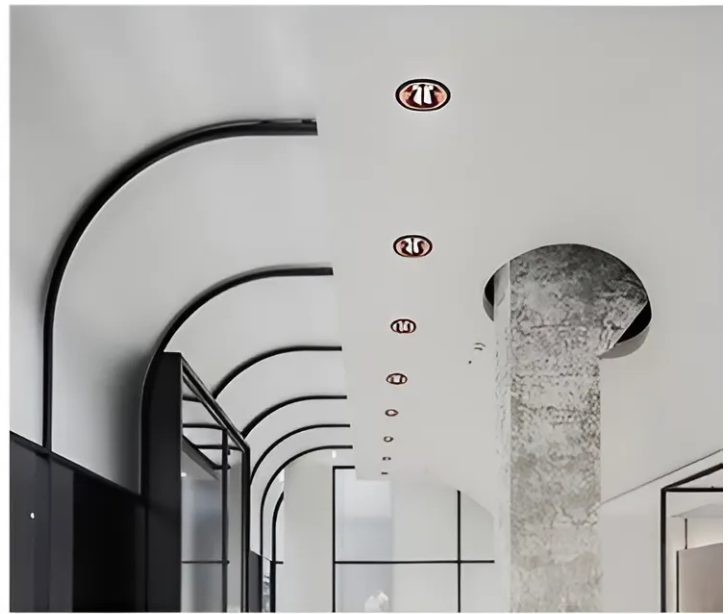
APPLICATIONS

Hotel, Shopping Mall, Office buildings, Retail stores, Airports, Metro stations, Public buildings...

PRODUCT PARAMETERS

Customized Solutions Available

Model No	Power	Size (DxH)	Hole	CRI	Lumen
HKD-SP65-10W	10W	Ø 135x65mm	Ø 110mm	90	1000lm
HKD-SP65-12W	12W				1200lm
HKD-SP65-15W	15W				1500lm
HKD-SP65-15W	15W	Ø 145x90mm	Ø 125mm		1500lm
HKD-SP65-20W	20W				2000lm
HKD-SP65-20W	20W	Ø 160x120mm	Ø 145mm		2000lm
HKD-SP65-25W	25W				2500lm
HKD-SP65-30W	30W				3000lm
HKD-SP65-40W	40W				4000lm



The LED Recessed Spotlight - HKD-SP90 is an ideal lighting solution, combining a sturdy design with exceptional illumination performance. With nine power options, it meets various lighting needs. Its sophisticated and efficient design provides high-quality lighting while enhancing the space and creating a striking focal point. Perfect for spotlight applications, this product elevates both aesthetics and functionality in any setting.



DETAIL

-
-
-
-
-
- < 3 SDCM icon"/>
-
-
-
-
-
-
-
-
-
-
-
-
-
-

Cover:
Black/
White

STYLE

- Sand Black
- Sand White
- Gun Black
- Bright Silver

APPLICATIONS

Hotel, Shopping Mall, Office buildings, Retail stores, Airports, Metro stations, Public buildings...

PRODUCT PARAMETERS

Customized Solutions Available

Model No	Power	Size (DxH)	Cut-out	CRI	Lumen
HKD-SP90-6W-D75	6W	Ø 85x64mm	Ø 75mm	90	600lm
HKD-SP90-8W-D75	8W				800lm
HKD-SP90-10W-D75	10W				1000lm
HKD-SP90-12W-D75	12W				1200lm
HKD-SP90-15W-D90	15W	Ø 105x72mm	Ø 90mm		1500lm
HKD-SP90-20W-D150	20W	Ø 170x80mm	Ø 150mm		2000lm
HKD-SP90-25W-D150	25W				2500lm
HKD-SP90-25W-D170	25W	Ø 195x85mm	Ø 170mm		2500lm
HKD-SP90-30W-D170	30W				3000lm
HKD-SP90-25W-D200	25W	Ø 235x95mm	Ø 200mm		2500lm
HKD-SP90-30W-D200	30W				3000lm



LED
COB
Spot Light

The LED Recessed Spotlight Mini – HKD-DL39 Series delivers exceptional illumination in a sleek, ultra-compact design. Available in five power options (4W, 6W, 8W, 10W, 12W), it adapts to a wide range of lighting applications. Featuring an adjustable beam angle from 15° to 60°, it offers flexible lighting control to suit diverse needs. Engineered for both performance and aesthetics, this spotlight enhances any space with clear, efficient lighting while creating a refined focal point. An ideal choice for offices, retail stores, and residential interiors.

OSRAM

PHILIPS

inventronics

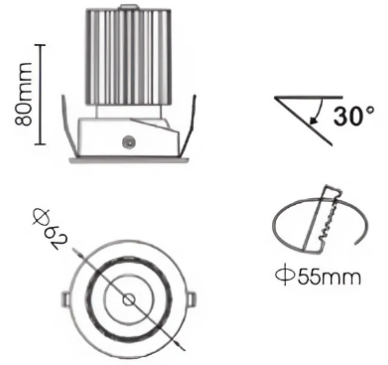
San'an

bridgelux®

LiFUD



DETAIL



DETAIL

- CRI 90+
- 100 lm/W
- Lifetime 50,000 hrs
- 220-240 V AC 50/60Hz
- IP44
- < 3 SDCM
- 2700K
- 3000K
- 3500K
- 4000K
- 5000K
- 6500K
- 15°
- 24°
- 36°
- 60°
- Anti dazzle design
- No Flickering
- 40°C / -20°C
- < 3 SDCM

APPLICATIONS

Customized Solutions Available

Hotel, Shopping Mall, Office buildings, Retail stores, Airports, Metro stations, Public buildings...

PRODUCT PARAMETERS

Model No	Power	Size	Cut-out	CRI	Lumen
HKD-DL39-4W	4W	Ø 41x72mm	Ø 35mm	90	400lm
HKD-DL39-6W	6W	Ø 41x72mm			600lm
HKD-DL39-8W	8W	Ø 41x72mm			800lm
HKD-DL39-10W	10W	Ø 62x80mm	Ø 55mm		1000lm
HKD-DL39-12W	12W	Ø 62x80mm			1200lm



LED
COB
Spot Light

The LED Recessed Spotlight Mini – HKD-DL38 Series is an ideal solution for modern lighting needs, combining ultra-compact size with outstanding illumination performance. Available in four power options (3W, 6W, 8W, 10W), it caters to diverse applications. With its sleek and efficient design, this spotlight not only delivers bright and clear lighting but also enhances the atmosphere, creating an elegant focal point in any space. A perfect blend of aesthetics and functionality for offices, shops, or residential interiors.

OSRAM

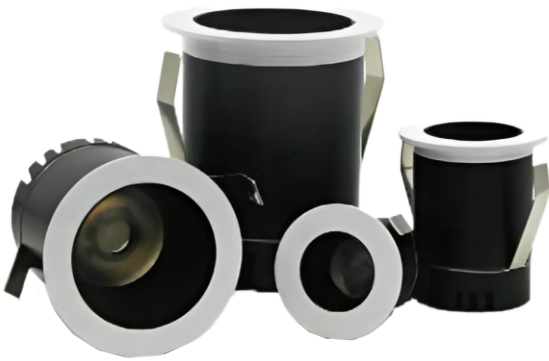
PHILIPS

inventronics

San'an

bridgelux

LIFUD



DETAIL

-
-
-
-
-
- < 3 SDCM icon"/>
-
-
-
-
-
-
-
-
-
-
-
-
-
- < 3 SDCM icon"/>

APPLICATIONS

Hotel, Shopping Mall, Office buildings, Retail stores, Airports, Metro stations, Public buildings...

PRODUCT PARAMETERS

Customized Solutions Available

Model No	Power	Size	Cut-out	CRI	Lumen
HKD-DL38-3W-D30	3W	Ø 38x39mm	Ø 30mm	90	300lm
HKD-DL38-3W-D40	3W	Ø 45x52mm	Ø 40mm		300lm
HKD-DL38-6W-D40	6W	Ø 45x52mm			600lm
HKD-DL38-6W-D50	6W	Ø 57x65mm	Ø 50mm		600lm
HKD-DL38-8W-D50	8W	Ø 57x65mm			800lm
HKD-DL38-8W-D60	8W	Ø 70x79mm	Ø 60mm		800lm
HKD-DL38-10W-D60	10W	Ø 70x79mm			1000lm



LED COB Spotlight

The HKD-SPV3 LED Spotlight is a premium recessed lighting solution engineered to deliver superior illumination performance for modern interior applications. Utilizing advanced LED technology, it ensures high efficiency, stable operation, and long-lasting durability. The robust construction combined with a refined optical design provides bright, uniform lighting while maintaining visual comfort and effective glare control. Its versatile configuration allows seamless integration into various architectural styles, enhancing both functionality and aesthetics. Ideal for retail stores, showrooms, offices, and residential spaces, the HKD-SPV3 offers an optimal balance of performance, energy efficiency, and contemporary design for professional lighting applications.

OSRAM**PHILIPS**

inventronics

A San'an

bridgelux®

LIFUD



DETAIL

Dimmable (Triac / 0-10V / DALI)

APPLICATIONS

Hotel, Shopping Mall, Office buildings, Retail stores, Airports, Metro stations, Public buildings...

PRODUCT PARAMETERS

Customized Solutions Available

Model No	Power (W)	Luminous Flux (lm)	Size (LxW) mm	Cut-out (LxW) mm	Beam Angle	CCT (K)
HKD-SPV3-1X8W	8	800	145×145	125×125	24° 36°	2700 3000 3500 4000 5000 6000
HKD-SPV3-1X10W	10	1000				
HKD-SPV3-1X12W	12	1200				
HKD-SPV3-1X14W	14	1400				
HKD-SPV3-1X16W	16	1600				
HKD-SPV3-1X18W	18	1800				
HKD-SPV3-1X20W	20	2000				
HKD-SPV3-2X8W	16	1600	255×145	225×125	24° 36°	
HKD-SPV3-2X10W	20	2000				
HKD-SPV3-2X12W	24	2400				
HKD-SPV3-2X14W	28	2800				
HKD-SPV3-2X16W	32	3200				
HKD-SPV3-2X18W	36	3600				
HKD-SPV3-2X20W	40	4000				
HKD-SPV3-3X8W	24	2400	365×145	335×125	24° 36°	
HKD-SPV3-3X10W	30	3000				
HKD-SPV3-3X12W	36	3600				
HKD-SPV3-3X14W	42	4200				
HKD-SPV3-3X16W	48	4800				
HKD-SPV3-3X18W	54	5400				
HKD-SPV3-3X20W	60	6000				



LED COB Spotlight

The HKD-SPV1 LED Downlight is a high-quality recessed spotlight designed to deliver outstanding illumination performance. Featuring a robust construction with versatile design options, it ensures durability while providing bright, uniform lighting that enhances both functionality and aesthetics in any space. Engineered with advanced LED technology, it offers stable performance, high efficiency, and significant energy savings. Ideal for a wide range of applications such as retail stores, showrooms, offices, and residential interiors, the HKD-SPV1 combines modern style with reliable lighting for a superior user experience.

OSRAM**PHILIPS**

inventronics

A San'an

bridgelux®

LIFUD



DETAIL

APPLICATIONS

Hotel, Shopping Mall, Office buildings, Retail stores, Airports, Metro stations, Public buildings...

PRODUCT PARAMETERS

Customized Solutions Available

Model No	Power	Size (WxDxH)	Cut-out	CRI	Lumen
HKD-SPV1-1X8W	8W	120x120mm	90x90mm	90	800lm
HKD-SPV1-1X12W	12W				1,200lm
HKD-SPV1-1X16W	16W				1,600lm
HKD-SPV1-1X20W	20W				2,000lm
HKD-SPV1-2X8W	2x8W	230x120mm	200x90mm		1,600lm
HKD-SPV1-2X12W	2x12W				2,400lm
HKD-SPV1-2X16W	2x16W				3,200lm
HKD-SPV1-2X20W	2x20W				4,000lm
HKD-SPV1-3X8W	3x8W	330x120mm	300x90mm		2,400lm
HKD-SPV1-3X12W	3x12W				3,600 lm
HKD-SPV1-3X16W	3x16W				4,800lm
HKD-SPV1-3X20W	3x20W				6,000lm



LED
COB
Spot Light

The LED Spotlight HKD-SP49 is a high-performance recessed LED downlight featuring advanced COB technology for powerful, energy-efficient illumination. With a 360° rotatable design, it offers flexible lighting angles, ideal for homes, offices, and showrooms. A high color rendering index (CRI \geq 90) ensures true-to-life colors and visual comfort. Sleek and modern, the HKD-SP49 combines durability with style, making it a perfect lighting solution for spaces requiring premium light quality.

OSRAM

PHILIPS

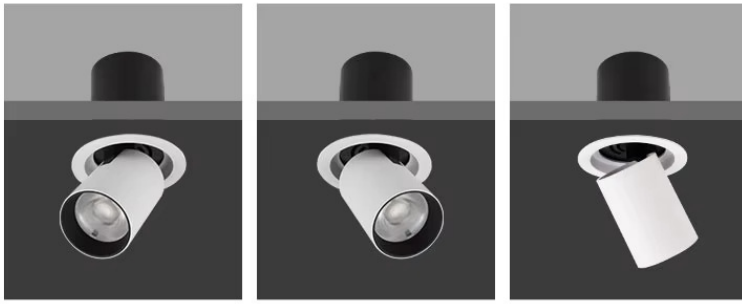
inventronics

A San'an

bridgelux®

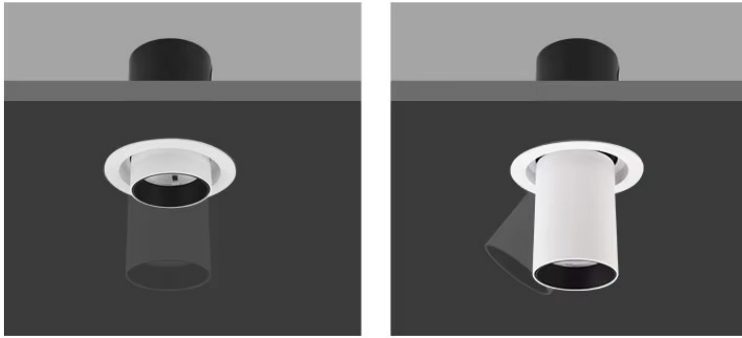
LIFUD

360° Rotatable



Upper and Lower Stretch

Adjustable angle 90°



- CRI 90+**
- 100 lm/W**
- Lifetime **50,000 hrs**
- IP44**
- 220-240 V AC 50/60Hz**
- 15°**
- 24°**
- 36°**
- 60°**
- < 3 SDCM**
- Anti dazzle design
- Stroboscopic protection
- 40°C / -20°C
- Cover: Black/White**

APPLICATIONS

Hotel, Shopping Mall, Office buildings, Retail stores, Public buildings...



PRODUCT PARAMETERS

Customized Solutions Available

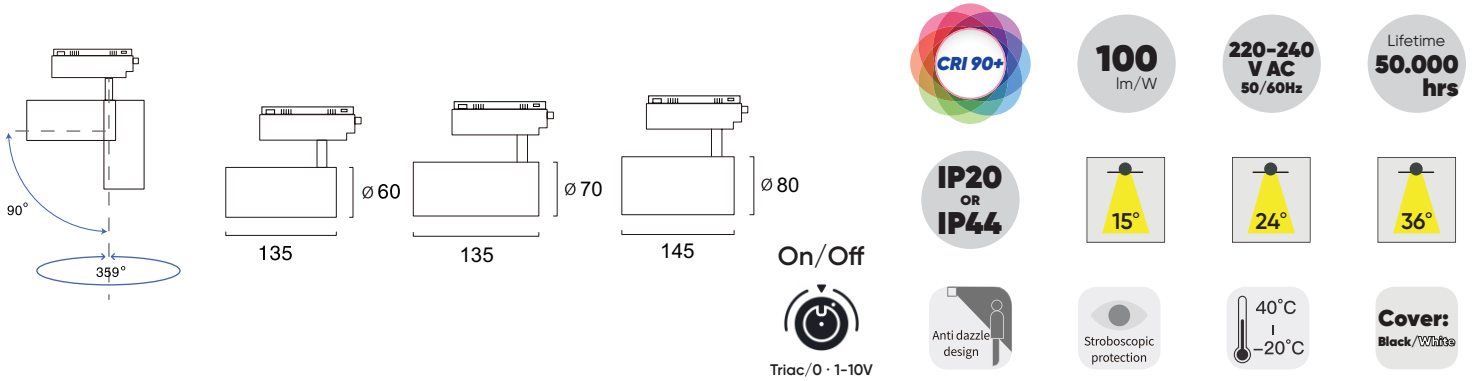
Model No	Power	Size (DxH)	Cut-out	Lumen	CRI
HKD-SP49-6W	6W	Ø 90x92mm	Ø 75mm	600lm	90
HKD-SP49-8W	8W			800lm	
HKD-SP49-10W	10W			1000lm	
HKD-SP49-12W	12W	Ø 115x120mm	Ø 90mm	1200lm	
HKD-SP49-15W	15W			1500lm	
HKD-SP49-18W	18W	Ø 135x145mm	Ø 115mm	1800lm	
HKD-SP49-20W	20W			2000lm	
HKD-SP49-25W	25W	Ø 160x150mm	Ø 145mm	2500lm	
HKD-SP49-30W	30W			3000lm	



**LED
COB**
Track Light

The LED Track Light & Surface Mounted LED Spotlight is a premium, fully integrated lighting solution designed for professional commercial display and accent lighting applications. Featuring advanced COB LED technology with a deeply recessed optical structure, it delivers outstanding color consistency, superior glare control, and a high color rendering index (CRI 90) for natural, vivid, and accurate illumination. The adjustable beam direction enables precise and flexible light positioning, making it ideal for highlighting products, artworks, and architectural details. With dual-circuit track compatibility, flexible power options, and efficient thermal management, this luminaire ensures stable performance, high energy efficiency, and long-term reliability for retail stores, showrooms, galleries, and exhibition environments.





Applications

Merchandise displays, Commercial buildings, Retail stores, Shopping malls, Lobbies and corridors...

PRODUCT PARAMETERS

Customized Solutions Available

	Model No	Power	Lumen	Size (DxL) mm	CTT
	HKD-TR03-8W	8W	800lm	Ø60x135mm	2700K 3000K 3500K 4000K 5000K 6500K
	HKD-TR03-10W	10W	1000lm		
	HKD-TR03-12W	12W	1200lm		
	HKD-TR03-14W	14W	1400lm		
	HKD-TR03-16W	16W	1600lm		
	HKD-TR03-14W	14W	1400lm	Ø70x135mm	
	HKD-TR03-16W	16W	1600lm		
	HKD-TR03-18W	18W	1800lm		
	HKD-TR03-20W	20W	2000lm		
	HKD-TR03-20W	20W	2000lm	Ø80x145mm	
	HKD-TR03-25W	25W	2500lm		
	HKD-TR03-30W	30W	3000lm		

	Model No	Power	Lumen	Size (DxL) mm	CTT
	HKD-TR01-8W	8W	800lm	Ø60x135mm	2700K
	HKD-TR01-10W	10W	1000lm		3000K
	HKD-TR01-12W	12W	1200lm		3500K
	HKD-TR01-15W	15W	1500lm		4000K
	HKD-TR01-12W	12W	1200lm	Ø70x135mm	5000K
	HKD-TR01-15W	15W	1500lm		6500K
	HKD-TR01-20W	20W	2000lm		



**LED
COB**
*Track Light
Zoom*

The HKD-TR05 Series LED Track Light is a fully integrated luminaire designed for superior commercial display and accent lighting. Equipped with high-quality COB LED chips and a deeply recessed cover, it delivers outstanding color consistency and glare control. A standout feature is its adjustable beam angle from 10° to 60°, offering unparalleled flexibility to highlight products or create the perfect lighting ambiance. With dual-circuit track compatibility and versatile power options, the HKD-TR05 ensures reliable, efficient, and customizable illumination for diverse applications.

OSRAM**PHILIPS**

inventronics

A San'an

bridgelux®

LIFUD



100
lm/W

Lifetime
50.000
hrs

IP44

220-240
V AC
50/60Hz

PRODUCT PARAMETERS

Customized Solutions Available

Model No	Power	Size (DxL) mm	Lumen	CRI	Lifetime
HKD-TR05-6W	6W	D48*L105	600lm	90	50.000hrs
HKD-TR05-8W	8W		800lm		
HKD-TR05-10W	10W		1000lm		
HKD-TR05-10W	10W	D58*L152	1000lm		
HKD-TR05-12W	12W		1200lm		
HKD-TR05-15W	15W		1500lm		
HKD-TR05-20W	20W		2000lm		

Applications

Merchandise displays, Commercial buildings, Retail stores, Shopping malls, Lobbies and corridors...





LED
COB
Track Light

The HKD-TR09 Series LED Track Light is a premium lighting solution engineered for high-end commercial display and accent applications. Featuring advanced COB LED technology combined with a deeply recessed anti-glare design, it delivers superior color consistency and a high CRI 90 for natural, vibrant, and true-to-life illumination. The adjustable beam direction provides exceptional flexibility, allowing precise highlighting of merchandise, architectural elements, and focal points. Designed with dual-circuit track compatibility and multiple power configurations, the HKD-TR09 ensures efficient performance, reliable operation, and versatile integration in retail stores, showrooms, galleries, and exhibition environments.

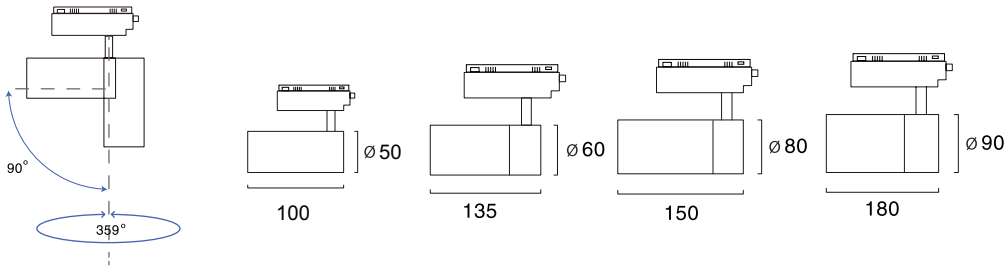
OSRAM**PHILIPS**

inventronics

A San'an

bridgelux®

LIFUD



PRODUCT PARAMETERS

Customized Solutions Available

Model No	Power	Size (DxL) mm	Lumen	CRI	Lifetime
HKD-TR09-4W	4W	D50*L100	400lm	90	50.000hrs
HKD-TR09-6W	6W		600lm		
HKD-TR09-8W	8W		800lm		
HKD-TR09-10W	10W	D60*L135	1000lm		
HKD-TR09-12W	12W		1200lm		
HKD-TR09-14W	14W		1400lm		
HKD-TR09-16W	16W		1600lm		
HKD-TR09-18W	18W	D80*L150	1800lm		
HKD-TR09-20W	20W		2000lm		
HKD-TR09-25W	25W		2500lm		
HKD-TR09-30W	30W	D90*L180	3000lm		
HKD-TR09-35W	35W		3500lm		
HKD-TR09-40W	40W		4000lm		

Applications

Merchandise displays, Commercial buildings, Retail stores, Shopping malls, Lobbies and corridors...





LED
COB
Track Light

The LED Track Light TR-07 series is a fully integrated LED luminaire, perfect for commercial display and accent lighting applications. This luminaire ensures excellent color consistency and glare control with chip-on-board (COB) LED chips and a deeply recessed cover design. The dual-circuit track connection ensures compatibility with existing tracks, while flexible power and beam angle options make the LED Track Light TR-07 suitable for a wide range of applications.





PRODUCT PARAMETERS

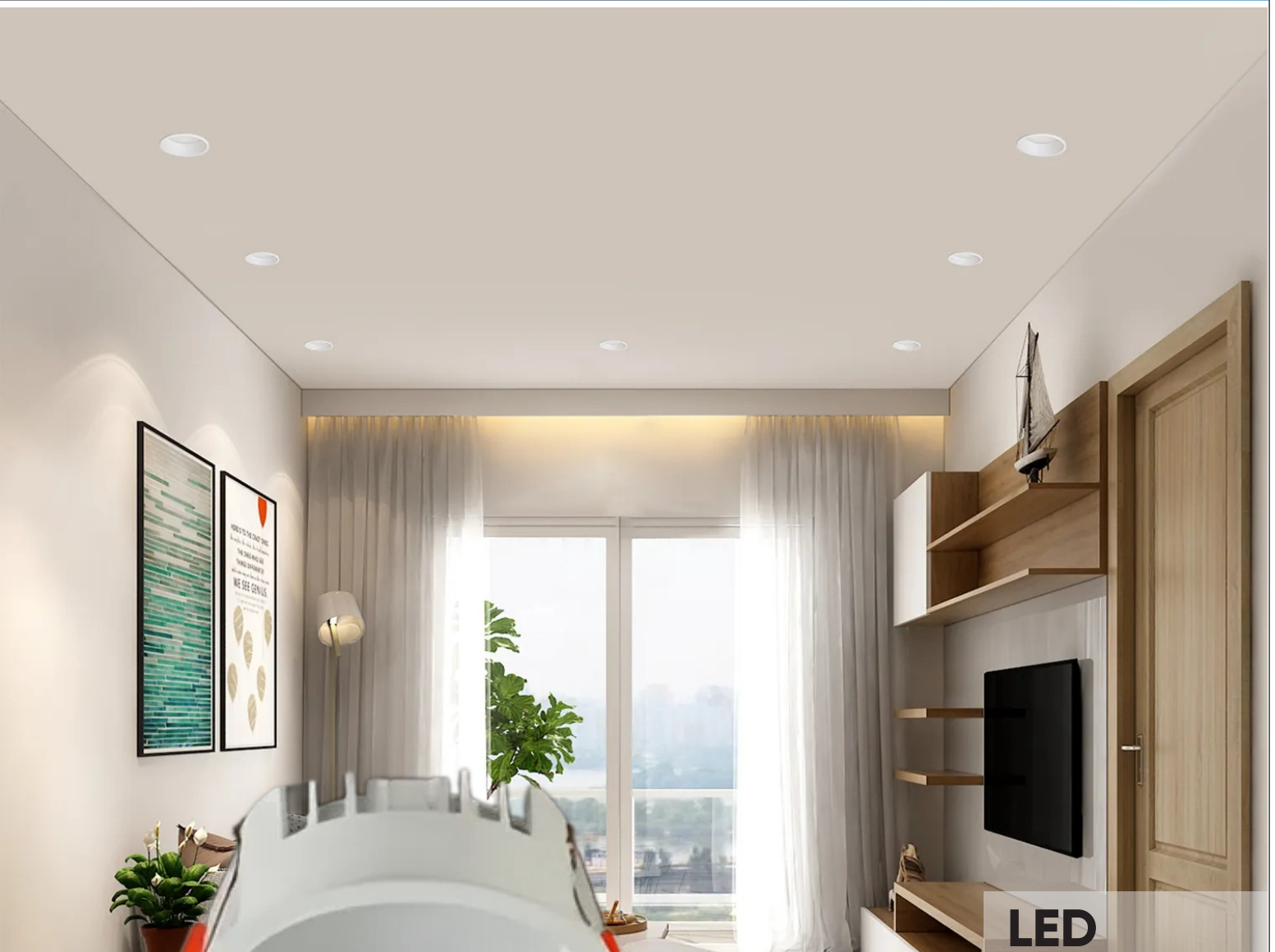
Customized Solutions Available

Model No	Power	Size (DxL) mm	Lumen	CRI	Lifetime
HKD-TR07-4W	4W	41*123	400lm	90	50.000hrs
HKD-TR07-6W	6W	41*123	600lm		
HKD-TR07-8W	8W	41*123	800lm		
HKD-TR07-10W	10W	50*133	1000lm		
HKD-TR07-12W	12W	50*133	1200lm		

Applications

Merchandise displays, Commercial buildings, Retail stores, Shopping malls, Lobbies and corridors...





LED Downlight

The HKD-DL09-SLR LED Downlight is a premium lighting solution designed to deliver exceptional performance and long-lasting durability. Engineered with a high color rendering index (CRI 90), it provides true-to-life, natural lighting that enhances the visual appeal of any space. Its robust design ensures reliability, while the superior illumination elevates both functionality and aesthetics. Ideal for a wide range of applications, the HKD-DL09-SLR combines efficiency, durability, and outstanding light quality to create the perfect lighting experience.

OSRAM**PHILIPS**

inventronics

A San'an

bridgelux®

LIFUD



DETAIL

					< 3 SDCM icon"/>

APPLICATIONS

Hotel, Shopping Mall, Office buildings, Retail stores, Airports, Metro stations, Public buildings...

PRODUCT PARAMETERS

Customized Solutions Available

Model No	Power	Size (DxH)	Cut-out	CRI	Lumen
HKD-DL09-SLR-6W-D75	6W	Ø 84x47mm	Ø 75mm	90	600lm
HKD-DL09-SLR-8W-D75	8W				800lm
HKD-DL09-SLR-10W-D75	10W				1000lm
HKD-DL09-SLR-8W-D90	8W	Ø 105x55mm	Ø 90mm		800lm
HKD-DL09-SLR-10W-D90	10W				1000lm
HKD-DL09-SLR-12W-D90	12W				1200lm
HKD-DL09-SLR-12W-D110	12W	Ø 130x58mm	Ø 110mm		1200lm
HKD-DL09-SLR-14W-D110	14W				1400lm
HKD-DL09-SLR-16W-D110	16W				1600lm



LED Downlight

The HKD-DL05-SLR LED Downlight is a high-quality lighting solution that combines outstanding illumination performance with long-lasting durability. Featuring a high color rendering index (CRI 90), it delivers true-to-life and natural lighting, ensuring colors appear more vivid and accurate. Its robust design guarantees reliability, while the superior illumination enhances both functionality and aesthetics in any space. Perfect for a wide range of applications, the HKD-DL05-SLR provides efficient, dependable, and visually comfortable lighting.

OSRAM**PHILIPS**

inventronics

A San'an

bridgelux®

LIFUD



DETAIL

-
-
-
-
-
- < 3 SDCM icon"/>
-
-
-
-
-
-
-
-
-
-
-
-

APPLICATIONS

Hotel, Shopping Mall, Office buildings, Retail stores, Airports, Metro stations, Public buildings...

PRODUCT PARAMETERS

Customized Solutions Available

Model No	Power	Size (DxH)	Cut-out	CRI	Lumen
HKD-DL05-SLR-6W	6W	Ø 95x45mm	Ø 75mm	90	600lm
HKD-DL05-SLR-8W	8W	Ø 115x48mm	Ø 90mm		800lm
HKD-DL05-SLR-9W	9W				900lm
HKD-DL05-SLR-10W	10W				1000lm
HKD-DL05-SLR-12W	12W				1200lm
HKD-DL05-SLR-15W	15W	Ø 140x60mm	Ø 120mm		1500lm
HKD-DL05-SLR-16W	16W				1600lm
HKD-DL05-SLR-18W	18W				1800lm
HKD-DL05-SLR-15W	15W	Ø 165x60mm	Ø 150mm		1500lm
HKD-DL05-SLR-16W	16W				1600lm
HKD-DL05-SLR-18W	18W				1800lm
HKD-DL05-SLR-20W	20W				2000lm
HKD-DL05-SLR-25W	25W	Ø 190x60mm	Ø 170mm		2500lm
HKD-DL05-SLR-30W	30W	Ø 230x72mm	Ø 200mm		3000lm
HKD-DL05-SLR-40W	40W				4000lm



LED Downlight

The HKD-DL06-SLR LED Downlight delivers refined lighting performance with an emphasis on visual comfort and durability. Designed with a high CRI 90, it produces vivid, natural illumination that brings out true colors and enhances spatial appeal. Its solid construction ensures long-lasting reliability, while the high-quality light output creates a balanced and inviting atmosphere. Ideal for diverse residential and commercial applications, the HKD-DL06-SLR offers an elegant lighting solution that seamlessly blends efficiency, performance, and aesthetics.

OSRAM**PHILIPS**

inventronics

A San'an

bridgelux®

LIFUD



DETAIL

APPLICATIONS

Hotel, Shopping Mall, Office buildings, Retail stores, Airports, Metro stations, Public buildings...

PRODUCT PARAMETERS

Customized Solutions Available

Model No	Power	Size (DxH)	Cut-out	Lumen	Lifetime
HKD-DL06-SLR-4W	4W	Ø 85x50mm	Ø 75 mm	400 lm	50.000hrs
HKD-DL06-SLR-6W	6W	Ø 85x50mm	Ø 75 mm	600 lm	
HKD-DL06-SLR-9W	9W	Ø 105x62mm	Ø 90 mm	900 lm	
HKD-DL06-SLR-12W	12W	Ø 105x62mm	Ø 90 mm	1200 lm	
HKD-DL06-SLR-16W	16W	Ø 135x65mm	Ø 110 mm	1600 lm	
HKD-DL06-SLR-18W	18W	Ø 135x65mm	Ø 110 mm	1800 lm	
HKD-DL06-SLR-20W	20W	Ø 135 x65mm	Ø 110 mm	2000 lm	



LED Downlight

The HKD-DLV LED Downlight is a premium lighting solution engineered for superior illumination and long-lasting performance. With its robust construction, it ensures durability while delivering bright, uniform, and visually comfortable lighting for any environment. Designed to enhance both functionality and aesthetics, this downlight offers reliable, energy-efficient illumination, making it an ideal choice for a wide range of residential, commercial, and professional applications.

OSRAM**PHILIPS**

inventronics

A San'an

bridgelux®

LIFUD



DETAIL

-
-
-
-
-
- < 3 SDCM icon"/>
-
-
-
-
-
-
-
-
-
-
-

APPLICATIONS

Hotel, Shopping Mall, Office buildings, Retail stores, Airports, Metro stations, Public buildings...

PRODUCT PARAMETERS

Customized Solutions Available

Model No	Power	Size (WxDxH)	Cut-out	CRI	Lumen
HKD-DLV-12W	12W	160x160x45mm	125x125mm	90	1,200lm
HKD-DLV-15W	15W				1,500lm
HKD-DLV-18W	18W	200x200x45mm	180x180mm		1,800lm
HKD-DLV-20W	20W				2,000lm
HKD-DLV-22W	22W				2,200lm
HKD-DLV-25W	25W				2,500lm



LED Downlight

The LED Downlight HKD-DLV01 is a high-quality lighting solution with exceptional illumination performance. Its sturdy design ensures durability while providing perfect lighting for any space, enhancing both functionality and aesthetics. Ideal for various applications, it delivers reliable and efficient illumination.

OSRAM**PHILIPS**

inventronics

A San'an

bridgelux®

LIFUD



DETAIL

					< 3 SDCM icon"/>

APPLICATIONS

Hotel, Shopping Mall, Office buildings, Retail stores, Airports, Metro stations, Public buildings...

PRODUCT PARAMETERS

Model No	Power	Size (WxDxH)	Cut-out	CRI	Lumen
HKD-DLV01-1x8W	8W	120x120mm	90x90mm	90	800lm
HKD-DLV01-1x10W	10W				1,000lm
HKD-DLV01-1x12W	12W				1,200lm
HKD-DLV01-1x16W	16W				1,600lm
HKD-DLV01-1x18W	18W				1,800lm
HKD-DLV01-1x20W	20W				2,000lm
HKD-DLV01-2x8W	2x8W	230x120mm	200x90mm		1,600lm
HKD-DLV01-2x10W	2x10W				2,000lm
HKD-DLV01-2x12W	2x12W				2,400lm
HKD-DLV01-2x16W	2x16W				3,200 lm
HKD-DLV01-2x18W	2x18W				3,600lm
HKD-DLV01-2x20W	2x20W				4,000lm



The HKD-CL01 adjustable surface-mounted downlight combines modern design with versatile performance. Featuring a sleek aluminum housing in Black or White, it offers 90° tilt adjustment and four reflector options—silver, black, rose gold, and white. With CRI 90 for superior color accuracy, it delivers vivid, natural lighting. An integrated LED driver ensures easy installation, making it ideal for both architectural and commercial applications.

OSRAM

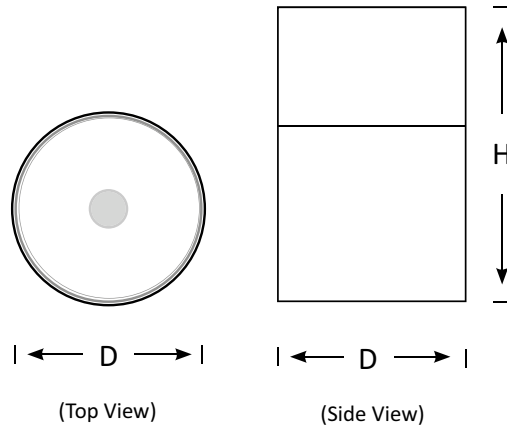
PHILIPS

inventronics

San'an

bridgelux

LIFUD



*reflector options

-
-
-
-
-
-
-
-
-
-
-
-
-

APPLICATIONS

Hotel, Shopping Mall, Office buildings, Retail stores, Public buildings...

-
-
-
-
-
-

PRODUCT PARAMETERS

Customized Solutions Available

Model No	Power	Size (DxH)	Lumen	CRI	Lifetime
HKD-CL01-6W	6W	Ø 70x100mm	600lm	90	50.000hrs
HKD-CL01-8W	8W		800lm		
HKD-CL01-10W	10W		1000lm		
HKD-CL01-12W	12W	Ø 90x110mm	1200lm		
HKD-CL01-14W	14W		1400lm		
HKD-CL01-20W	20W		2000lm		



LED
COB
Down Light

The LED Surface Mounted Downlight HKD-CL05 is a premium lighting solution designed for high-end illumination, with power options ranging from 8W to 30W. Built for durability and energy efficiency, it features a superior color rendering index (CRI 90), delivering true-to-life, vibrant light that enhances both residential and commercial spaces. With its sleek design and reliable performance, the HKD-CL05 is the ideal choice for upscale architectural and commercial lighting applications.

HKD-CL05

LED Surface Mounted Downlight

Aluminum radiator **100** lm/W **Lifetime 50.000 hrs** **220-240 V AC 50/60Hz** **2700K** **3000K** **3500K** **4000K** **5000K** **6500K**

CRI 90+ **IP44**

15° 24° 36° 55°

Ø0.68m Ø1.10m Ø1.68m Ø3.00m

APPLICATIONS

STYLE

Hotel, Shopping Mall, Office buildings, Retail stores, Airports, Metro stations, Public buildings...



Sand White

Sand Black

Gun Black

Bright Silver

Rose Gold

PRODUCT PARAMETERS

Customized Solutions Available

Model No	Power	Size (DxH)	Lumen	CRI	Lifetime
HKD-CL05-08	8W	Ø 78x85mm	800lm	90	50.000hrs
HKD-CL05-12	12W	Ø 78x85mm	1200lm		
HKD-CL05-15	15W	Ø 100x90mm	1500lm		
HKD-CL05-18	18W	Ø 100x90mm	1800lm		
HKD-CL05-20	20W	Ø 120x100mm	2000lm		
HKD-CL05-22	22W	Ø 120x100mm	2200lm		
HKD-CL05-25	25W	Ø 120x100mm	2500lm		
HKD-CL05-30	30W	Ø 150x150mm	3000lm		



LED
COB
Down Light



The LED Surface Mounted Downlight HKD-CL08 is a premium lighting solution designed for high-end illumination, with power options ranging from 8W to 20W. Built for durability and energy efficiency, it features a superior color rendering index (CRI 90), delivering true-to-life, vibrant light that enhances both residential and commercial spaces. With its sleek design and reliable performance, the HKD-CL08 is the ideal choice for upscale architectural and commercial lighting applications.

HKD-CL08

LED Surface Mounted Downlight

APPLICATIONS

STYLE

Hotel, Shopping Mall, Office buildings, Retail stores, Airports, Metro stations, Public buildings...



Sand White



Sand Black



Gun Black



Bright Silver



Rose Gold

PRODUCT PARAMETERS

Customized Solutions Available

Model No	Power	Size (DxH)	Lumen	CRI	Lifetime
HKD-CL08-08	8W	Ø 85x100mm	800lm	90	50.000hrs
HKD-CL08-10	10W	Ø 85x100mm	1000lm		
HKD-CL08-12	12W	Ø 94x125mm	1200lm		
HKD-CL08-14	14W	Ø 94x125mm	1400lm		
HKD-CL08-15	15W	Ø 94x125mm	1500lm		
HKD-CL08-16	16W	Ø 110x130mm	1600lm		
HKD-CL08-18	18W	Ø 110x130mm	1800lm		
HKD-CL08-20	20W	Ø 110x130mm	2000lm		



LED
COB
Pendant

The HKD-CLP06 Pendant Ceiling Light is a modern decorative lighting solution designed with a minimalist yet elegant style that enhances the sophistication of any interior space. Equipped with an adjustable suspension cable, the fixture allows easy installation and flexible height adjustment to meet various lighting and decorative requirements. With its refined design and ability to create a striking lighting accent, the HKD-CLP06 is ideal for a wide range of applications, including dining tables, bar counters, living rooms, offices, restaurants, cafés, event spaces, apartments, lobbies, resorts, and hotels. In addition to providing effective illumination, the fixture also elevates the overall interior aesthetic, creating a stylish and contemporary atmosphere.

OSRAM

PHILIPS

inventronics

San'an

bridgelux®

LiFUD



DETAIL

-
-
-
-
-
- < 3 SDCM icon"/>
-
-
-
-
-
-
-
-
-
-
-
-

Suspension cable: 1 m / 1.5 m / 2 m (optional)

APPLICATIONS

Hotel, Shopping Mall, Office buildings, Retail stores, Public buildings...

PRODUCT PARAMETERS

Customized Solutions Available

Model No	Power	Size	Beam Angle	CRI	Lumen
HKD-CLP06-6W	6W	Ø 55x300mm	24°/36°	90	600lm
HKD-CLP06-8W	8W				800lm
HKD-CLP06-10W	10W				1000lm
HKD-CLP06-12W	12W				1200lm



LED
SURFACE MOUNTED

The HKD-CL35 LED Surface Mounted is a simple yet elegant lighting solution. Built for durability and energy efficiency, it features a high color rendering index (CRI >80), delivering natural and vivid light that enhances both residential and commercial interiors. With its refined design and reliable performance, the HKD-CL35 is the ideal choice for premium indoor and commercial lighting applications.





DETAIL

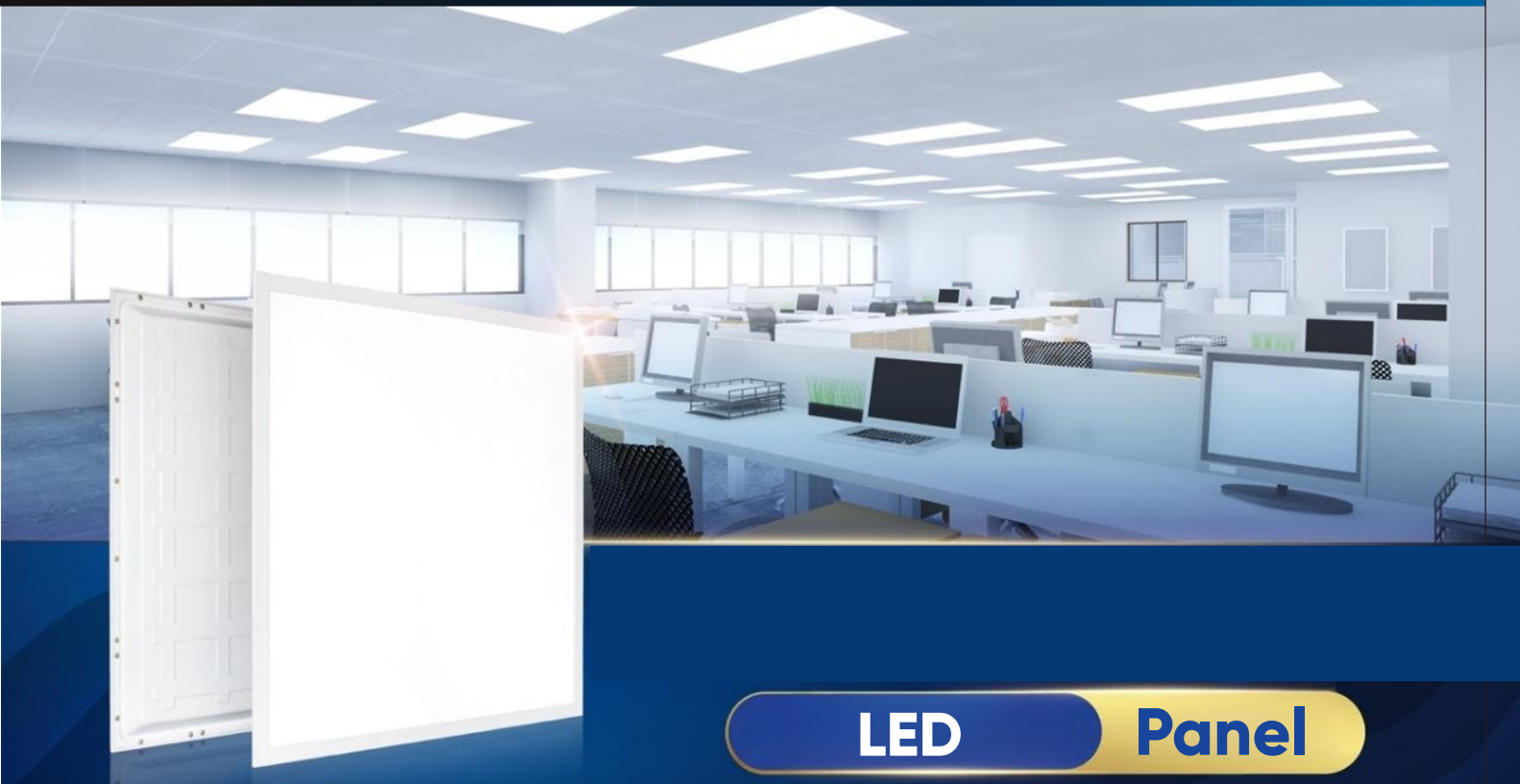
APPLICATIONS

Hotel, Shopping Mall, Office buildings, Retail stores, Commercial, Public buildings...

PRODUCT PARAMETERS

Customized Solutions Available

Model No	Power	Size (DxH)	CRI	Lifetime	Lumen
HKD-CL35-12W	12W	D200x44mm	90	50.000hrs	1,200lm
HKD-CL35-18W	15W				1,500lm
HKD-CL35-24W	24W	D300x48mm			2,400lm
HKD-CL35-30W	30W				3,000lm
HKD-CL35-SQR-18W	18W	D220x45mm			1,800lm
HKD-CL35-SQR-24W	24W	D300x45mm			2,400lm

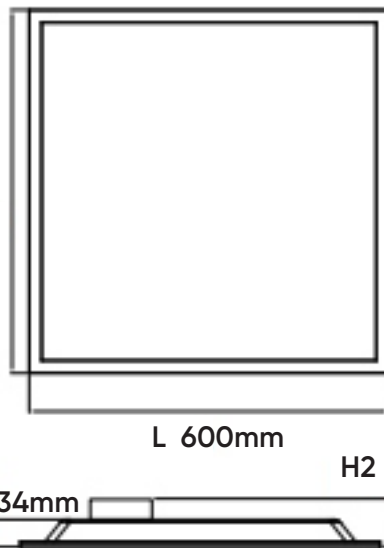


The LED PANEL HKD-PL is an ideal back-lit lighting solution, specifically designed for office spaces and public buildings. With a luminous efficacy of up to 100 lm/W and a long lifespan of up to 50,000 hours, it delivers outstanding energy efficiency and significantly reduces operating costs. Available in two versions – IP20 and IP44 – the product features an optimized optical design that ensures high light uniformity and effective glare control, enhancing visual comfort and creating a more pleasant working environment.



Material: PPMA Defuser Cover
Finishing: Aluminum

600mm W



Mounting: Suspended / Recessed / Surface Mounted

*Control



***Accessories available upon request, depending on installation method



Suspension kit



Mounting brackets



Surface-mounted aluminum frame

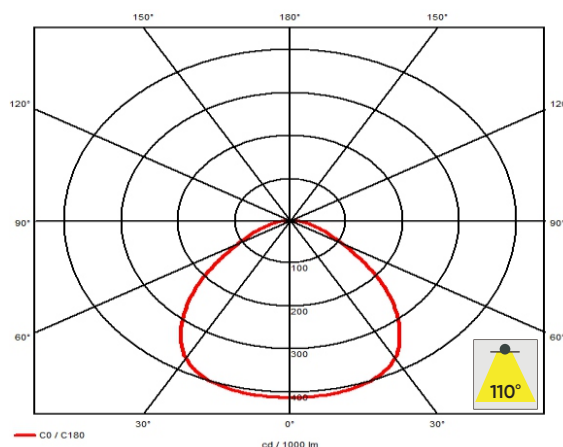
Benefits

- Simple shape with stable quality
- ♦ Strong frame with extrusion aluminum
- ♦ Simple design solution with a 34mm height

Applications

Supermarket, Offices, Schools, Metro stations, Banks, Stores, Public buildings...

Photometrics / LED Data



PRODUCT PARAMETERS

Model No	Power	Size (LxWxH)mm	CTT	Lumen
IP20 VERSION				
HKD-PL-V1-0306-25W	25W	595x295x34	3000K/4000K/6500K	2,500lm
HKD-PL-V1-0312-40W	40W	1195x295x34		4,000lm
HKD-PL-V1-0606-40W	40W	595x595x34		4,000lm
HKD-PL-V1-0606-60W	60W	595x595x34		6,000lm
HKD-PL-V1-0612-60W	60W	1195x595x34		6,000lm
HKD-PL-V1-0612-80W	80W	1195x595x34		8,000lm
IP44 VERSION				
HKD-PL-V2-0306-25W	25W	595x295x34	3000K/4000K/6500K	2,500lm
HKD-PL-V2-0312-40W	40W	1195x295x34		4,000lm
HKD-PL-V2-0606-40W	40W	595x595x34		4,000lm
HKD-PL-V2-0606-60W	60W	595x595x34		6,000lm
HKD-PL-V2-0612-60W	60W	1195x595x34		6,000lm
HKD-PL-V2-0612-80W	80W	1195x595x34		8,000lm

Custom Orders Available (IP65 Option)



LED Linear

The HKD-LN02 LED Linear Light features advanced LED technology to deliver high-quality illumination with excellent color rendering, providing natural, comfortable light while effectively protecting visual health. Designed to emit uniform and glare-free lighting, it enhances productivity and creates a pleasant atmosphere in any space. With its sleek, modern design, the HKD-LN02 integrates seamlessly into contemporary interiors, serving both functional and decorative purposes. This versatile lighting solution is ideal for offices, restaurants, spas, gyms, and other commercial or lifestyle environments. Combining energy efficiency, visual comfort, and elegant aesthetics, the HKD-LN02 LED Linear Light is a reliable and stylish choice for modern architectural and interior lighting applications.

OSRAM

PHILIPS

inventronics

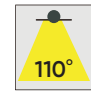
LUMILEDS

bridgelux

LIFUD



Cable: 1m



Applications

Offices, restaurants, spas, gyms, and other commercial or lifestyle environments. Combining...

PRODUCT PARAMETERS

Customized Solutions Available

Model No	Power	Lumen	Size (LxWxH) mm	CTT
HKD-LN020-600-12W	12W	1200lm	L600xW50xH75mm	3000K 4000K 6500K
HKD-LN020-600-15W	15W	1500lm		
HKD-LN020-600-18W	18W	1800lm		
HKD-LN020-1000-18W	18W	1800lm	L1000xW50xH75mm	
HKD-LN020-1000-23W	23W	2300lm		
HKD-LN020-1000-27W	27W	2700lm		
HKD-LN020-1200-20W	20W	2000lm	L1200xW50xH75mm	
HKD-LN020-1200-28W	28W	2800lm		
HKD-LN020-1200-36W	36W	3600lm		
HKD-LN021-600-15W	15W	1500lm	L600xW76xH76mm	
HKD-LN021-600-20W	20W	2000lm		
HKD-LN021-600-24W	24W	2400lm		
HKD-LN021-1000-27W	27W	2700lm	L1000xW76xH76mm	
HKD-LN021-1000-34W	34W	3400lm		
HKD-LN021-1000-40W	40W	4000lm		
HKD-LN021-1200-30W	30W	3000lm	L1200xW76xH76mm	
HKD-LN021-1200-40W	48W	4800lm		
HKD-LN021-1200-50W	56W	5600lm		



LED Food Light

The HKD-FL100 LED Floodlight represents the next generation of high-performance stadium and area lighting. Engineered with an optimized structure, advanced optics, and superior electrical design, it ensures exceptional brightness and visual clarity that meets modern TV broadcasting standards. Its forged pure aluminum heat sink delivers outstanding thermal management, enhancing longevity and efficiency. The compact, lightweight design allows for easier installation, while optional remote drivers and multiple light distribution choices provide versatility for diverse applications. Ideal for both new and renovated stadiums, the HKD-FL100 delivers powerful illumination with reduced operational and maintenance costs.

OSRAM

PHILIPS

inventronics

San'an

bridgelux

LIFUD

DONE



DETAIL

CRI 80	100 lm/W	Lifetime 50.000 hrs	220-240 V AC 50/60Hz
3000K	4000K	6500K	IP66

APPLICATIONS

Outdoor area flood lighting, Outdoor billboard lighting, Logo/Signage illumination, Other public and industrial areas

PRODUCT PARAMETERS

Customized Solutions Available

Model No	Power	Size (DxWxH)	Environment	Lumen
HKD-FL100-100W	100W	300x155x110mm	IP66	10.000lm
HKD-FL100-200W	200W	300x310x110mm		20.000lm
HKD-FL100-300W	300W	300x490x110mm		30.000lm
HKD-FL100-400W	400W	600x320x120mm		40.000lm
HKD-FL100-500W	500W	600x400x120mm		50.000lm
HKD-FL100-600W	600W	600x390x120mm		60.000lm



LED Food Light

The HKD-FL70 Premium LED Floodlight is a high-power outdoor lighting solution featuring high-quality LED chips and a durable driver for stable illumination, energy efficiency, and long lifespan. Utilizing advanced LED technology, it reduces maintenance costs and serves as an ideal replacement for Metal Halide and Halogen floodlights. With superior weather resistance and outstanding performance, this premium floodlight is perfect for stadiums, parking lots, warehouses, and other demanding outdoor applications requiring high reliability.

OSRAM

PHILIPS

inventronics

San'an

bridgelux

LIFUD

DONE



DETAIL

- CRI 80**
- 100** lm/W
- Lifetime **50.000** hrs
- 220-240** V AC 50/60Hz
- 3000K**
- 4000K**
- 6500K**
- IP66**

APPLICATIONS

Outdoor area flood lighting, Outdoor billboard lighting, Logo/ Signage illumination, Other public and industrial areas

PRODUCT PARAMETERS

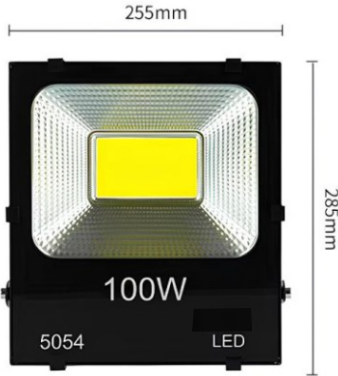
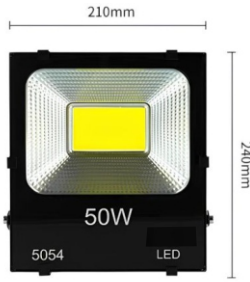
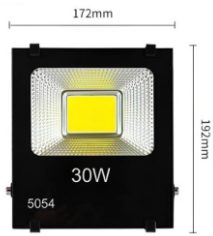
Customized Solutions Available

Model No	Power	Size (DxWxH)	Environment	Lumen
HKD-FL70-30W	30W	172x192x52mm	IP66	3.000lm
HKD-FL70-50W	50W	210x240x60mm		5.000lm
HKD-FL70-70W	70W	210x240x60mm		7.000lm
HKD-FL70-100W	100W	255x285x85mm		10.000lm
HKD-FL70-150W	150W	350x310x90mm		15.000lm
HKD-FL70-200W	200W	350x380x95mm		20.000lm
HKD-FL70-250W	250W	410x360x110mm		25.000lm



LED Food Light

The HKD-FL50 LED Floodlight is a high-power outdoor lighting solution designed for efficiency and durability. Featuring advanced LED technology, it offers low energy consumption, reduced maintenance costs, and an extended lifespan. This makes it an ideal replacement for traditional high-intensity discharge lamps such as Metal Halide and Halogen floodlights. Engineered for superior performance, the HKD-FL50 ensures optimal brightness, weather resistance, and long-term reliability, making it perfect for stadiums, parking lots, warehouses, and outdoor facilities.



DETAIL

CRI 80

100 lm/W

Lifetime 30.000 hrs

220-240 V AC 50/60Hz

3000K

4000K

6500K

IP66

APPLICATIONS

Outdoor area flood lighting, Outdoor billboard lighting, Logo/Signage illumination, Other public and industrial areas

PRODUCT PARAMETERS

Customized Solutions Available

Model No	Power	Size (DxW)	Environment	Lumen
HKD-FL50-30W	30W	172x192mm	IP66	3.000lm
HKD-FL50-50W	50W	210x240mm		5.000lm
HKD-FL50-70W	70W	210x240mm		7.000lm
HKD-FL50-100W	100W	255x285mm		10.000lm
HKD-FL50-150W	150W	350x310mm		15.000lm
HKD-FL50-200W	200W	350x380mm		20.000lm



LED Flood Light

The HKD-FL50-SMD LED Floodlight provides an energy-saving outdoor lighting solution with reliable performance and long-lasting durability. Utilizing advanced LED technology, it significantly reduces power consumption and maintenance costs while ensuring optimal brightness. As a cost-effective alternative to traditional Halogen and Metal Halide floodlights, it lowers operational expenses without compromising efficiency. Designed for durability and weather resistance, the HKD-FL50-SMD is ideal for parking lots, warehouses, outdoor facilities, and various commercial applications.

OSRAM

PHILIPS

inventronics

San'an

bridgelux

LIFUD

DONE



DETAIL

CRI 80	100 lm/W	Lifetime 30.000 hrs	220-240 V AC 50/60Hz
3000K	4000K	6500K	IP66

APPLICATIONS

Outdoor area flood lighting, Outdoor billboard lighting, Logo/Signage illumination, Other public and industrial areas

PRODUCT PARAMETERS

Customized Solutions Available

Model No	Power	Size (DxW)	Environment	Lumen
HKD-FL50-SMD-30W	30W	172x192mm	IP66	3.000lm
HKD-FL50-SMD-50W	50W	210x240mm		5.000lm
HKD-FL50-SMD-70W	70W	210x240mm		7.000lm
HKD-FL50-SMD-100W	100W	255x285mm		10.000lm



The HKD-FL60-SMD LED Floodlight provides an energy-saving outdoor lighting solution with reliable performance and long-lasting durability. Utilizing advanced LED technology, it significantly reduces power consumption and maintenance costs while ensuring optimal brightness. As a cost-effective alternative to traditional Halogen and Metal Halide floodlights, it lowers operational expenses without compromising efficiency. Designed for durability and weather resistance, the HKD-FL60-SMD is ideal for parking lots, warehouses, outdoor facilities, and various commercial applications.



DETAIL

CRI 80	100 lm/W	Lifetime >30.000 hrs	220-240 V AC 50/60Hz
3000K	4000K	6500K	IP66

APPLICATIONS

Outdoor area flood lighting, Outdoor billboard lighting, Logo/ Signage illumination, Other public and industrial areas

PRODUCT PARAMETERS

Customized Solutions Available

Model No	Power	Size (DxWxH)	Environment	Lumen
HKD-FL60-SMD-50W	50W	210x205x50mm	IP66	5.000lm
HKD-FL60-SMD-100W	100W	245x245x50mm		10.000lm
HKD-FL150-SMD-150W	150W	281x265x60mm		15.000lm
HKD-FL200-SMD-200W	200W	320x285x60mm		200.000lm



LED
Food Light

This outdoor LED floodlight is engineered for durability and performance, featuring an IP66-rated water-resistant design that ensures reliable operation in all weather conditions. With a luminous efficiency of 100 lm/W and an impressive lifespan of up to 50,000 hours, it delivers long-lasting, energy-efficient illumination. The floodlight offers customizable color temperatures (3000K/4000K/6000K/Blue/Green/Red/RGB) and adjustable beam angles from 20 to 30 degrees, making it ideal for a wide range of outdoor lighting applications. Whether used for architectural accents, landscapes, or signage, this floodlight provides both flexibility and exceptional lighting quality.





DETAIL

- CRI 80
- 100 lm/W
- Lifetime 50.000 hrs
- 220-240 V AC 50/60Hz
- 3000K
- 4000K
- 6500K
- IP66
- Red
- Blue
- Green
- RGB

Cover: Black/Silver

APPLICATIONS

Outdoor area flood lighting, Outdoor billboard lighting, Logo/Signage illumination, Other public and industrial areas

PRODUCT PARAMETERS

Customized Solutions Available

Model No	Power	Size (DxW)	Environment	Efficacy
HKD-FL03-6W	6W	95x130mm	IP66	80-100lm/W
HKD-FL03-9W	9W	130x160mm		
HKD-FL03-12W	12W	150x200mm		
HKD-FL03-15W	15W	150x200mm		
HKD-FL03-18W	18W	180x230mm		
HKD-FL03-24W	24W	180x230mm		
HKD-FL03-36W	36W	230x260mm		
HKD-FL03-50W	50W	230x260mm		



LED Highbay

The LED Highbay HKD-HB Series is a high-efficiency and durable lighting solution for industrial and commercial spaces, suitable for dusty and humid environments. Using high-quality LED chips and drivers, it delivers over 100 lm/W luminous efficacy and CRI >80, ensuring bright, true-to-life illumination. With a 50,000-hour lifespan and robust die-cast aluminum housing, it offers energy savings, low maintenance, and reliable performance – making it an ideal replacement for traditional HID highbays.



DETAIL

- CRI >80**
- 100** lm/W
- Lifetime **50.000** hrs
- 220-240** V AC 50/60Hz
- 3000K**
- 4000K**
- 6500K**
- IP65**
- 60°**
- 90°**

APPLICATIONS

Workshops, assembly lines, storages, logistics, industrial and commercial halls, public areas (airports, stations, stadiums), auxiliary rooms, car parks

PRODUCT PARAMETERS

Customized Solutions Available

Model No	Power	Size (DxH)	Environment	Lumen
HKD-HB-35W	35W	290x115mm	IP65	3.500lm
HKD-HB-50W	50W	290x115mm		5.000lm
HKD-HB-70W	70W	345x175mm		7.000lm
HKD-HB-100W	100W	345x175mm		10.000lm
HKD-HB-150W	150W	360x150mm		15.000lm
HKD-HB-200W	200W	400x150mm		20.000lm
HKD-HB-250W	250W	400x150mm		25.000lm



LED Highbay

The HKD-HB-01 LED Highbay Series offers a reliable and energy-efficient lighting solution designed for industrial and commercial environments, even in dusty or humid conditions. Equipped with high-quality LED chips and drivers, it achieves a luminous efficacy above 100 lm/W and a CRI >80, providing bright and natural illumination. Its durable die-cast aluminum structure ensures excellent heat dissipation and a lifespan of up to 50,000 hours, reducing maintenance and operational costs. The HKD-HB-01 is the perfect replacement for traditional HID highbay systems, combining performance, longevity, and modern efficiency.



DETAIL

- CRI >80**
- 100** lm/W
- Lifetime **50.000** hrs
- 220-240** V AC
50/60Hz
- 3000K**
- 4000K**
- 6500K**
- IP65**
- 60°**
- 90°**

APPLICATIONS

Workshops, assembly lines, storages, logistics, industrial and commercial halls, public areas (airports, stations, stadiums), auxiliary rooms, car parks.

PRODUCT PARAMETERS

Customized Solutions Available

Model No	Power	Size (DxH)	Environment	Lumen
HKD-HB-01-35W	35W	410x280mm	IP65	3.500lm
HKD-HB-01-50W	50W	410x280mm		5.000lm
HKD-HB-01-70W	70W	410x330mm		7.000lm
HKD-HB-01-100W	100W	410x330mm		10.000lm
HKD-HB-01-120W	120W	490x420mm		12.000lm
HKD-HB-01-150W	150W	490x420mm		15.000lm
HKD-HB-01-200W	200W	490x420mm		20.000lm
HKD-HB-01-250W	250W	560x450mm		25.000lm



LED Highbay

The HKD-HB-02 LED Highbay Series is a cost-effective and efficient lighting solution designed for industrial and commercial environments. Built with high-quality LED chips and reliable drivers, it delivers a luminous efficacy of over 100 lm/W and a CRI >80, ensuring bright, natural illumination. Its durable die-cast aluminum housing provides good heat dissipation and long-lasting performance, with a lifespan of up to 50,000 hours. Combining affordability, energy savings, and dependable quality, the HKD-HB-02 is an ideal choice for replacing traditional HID highbay systems in a more economical way.



DETAIL

- CRI >80**
- 100** lm/W
- Lifetime **50.000** hrs
- 220-240** V AC 50/60Hz
- 3000K**
- 4000K**
- 6500K**
- IP65**
- 60°**
- 90°**

APPLICATIONS

Workshops, assembly lines, storages, logistics, industrial and commercial halls, public areas (airports, stations, stadiums), auxiliary rooms, car parks.

PRODUCT PARAMETERS

Customized Solutions Available

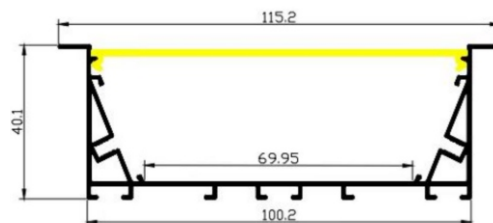
Model No	Power	Size (DxH)	Environment	Lumen
HKD-HB-02-35W	35W	350x240mm	IP65	3.500lm
HKD-HB-02-50W	50W	350x240mm		5.000lm
HKD-HB-02-70W	70W	450x345mm		7.000lm
HKD-HB-02-100W	100W	450x345mm		10.000lm
HKD-HB-02-150W	150W	450x345mm		15.000lm
HKD-HB-02-200W	200W	500x350mm		20.000lm
HKD-HB-02-250W	250W	485x430mm		25.000lm

LED LINEAR DOWNLIGHT



The LED Linear Downlight is an excellent choice for creating well-lit, efficient spaces in offices and commercial buildings. Its combination of energy efficiency, color quality, and longevity makes it a smart investment.

DIMENSION



Finishing: Aluminum

OUTSTANDING FEATURES

CRI 90

100
lm/W

Lifetime
50,000
hrs

IP20

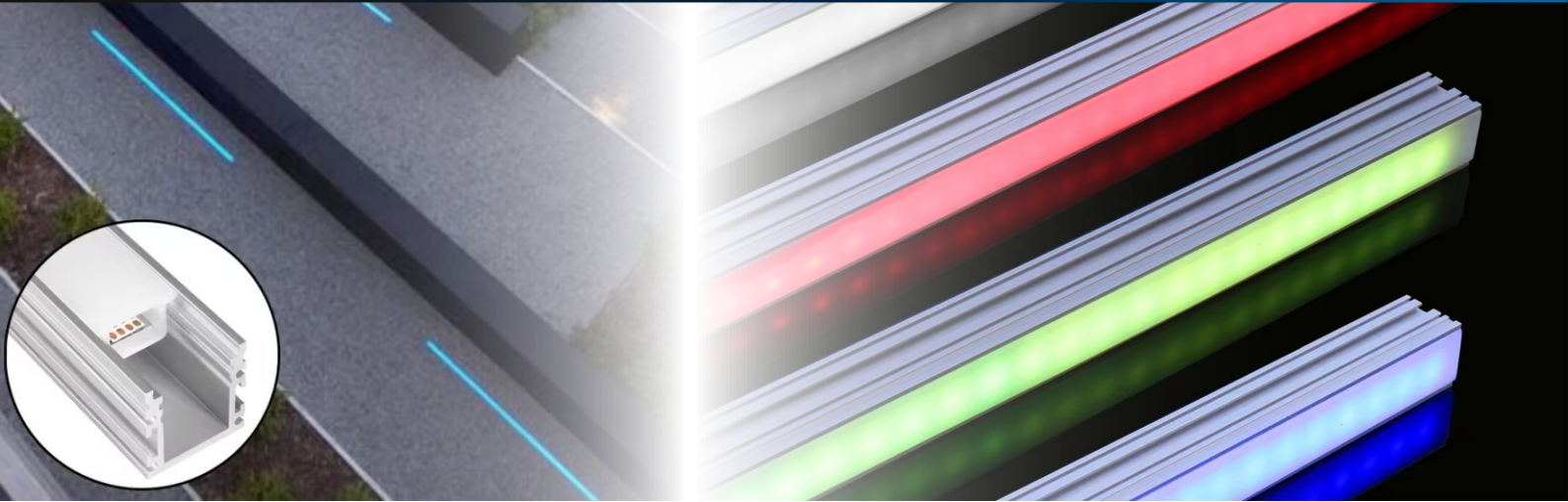
220-240
V AC
50/60Hz



PRODUCT PARAMETERS

Customized Solutions Available

Model No	Power	Size (mm)	CCT	Beam angle	Lumen
HKD-LN04-1200	36W	L1150xW100xH40	6000K	120°	3600lm
HKD-LN04-1200-RED	54W	L1200xW200xH40	Red	120°	5400lm
HKD-LN04-1500	36W	L1500xW100xH40	6000K	120°	3600lm



Profile for floor lighting

- For indoor/ outdoor ground installation.
- Simple and compact structure.
- Fully diffused cover at IP54 and polyurethane potted for IP67.
- Designed for incorporation into exterior building features.

Accessories



Endcap



Silicon pad



Aluminum bar



Red



Blue



Yellow



Green

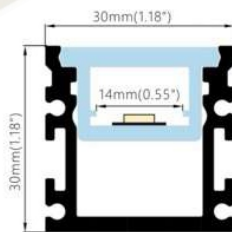


Customized Solutions Available



Life time
50.000hrs

In-ground
recessed



Model No	Power	Voltage	Lumen	CRI	LEDs/m	Size LxWxH	Cutting unit
HKD-LN-03	3.9W	DC12/24V	390lm	>80/90	36LEDs	300x30x30 mm	25mm/3leds 50mm/6leds
HKD-LN-06	7.8W	DC12/24V	780lm	>80/90	72LEDs	600x30x30 mm	25mm/3leds 50mm/6leds
HKD-LN-10	13W	DC12/24V	1300lm	>80/90	120LEDs	1000x60x40 mm	25mm/3leds 50mm/6leds



LED

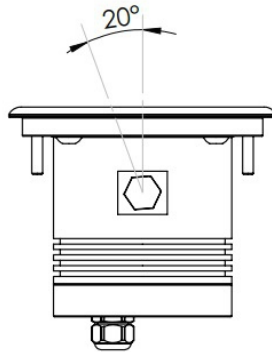
Inground Light

The LED Inground Light is a durable and energy-efficient solution for outdoor accent lighting. Designed for façades, pathways, gardens, and pool areas, it combines discreet installation with powerful illumination, ensuring long lifespan, weather resistance, and modern architectural enhancement.

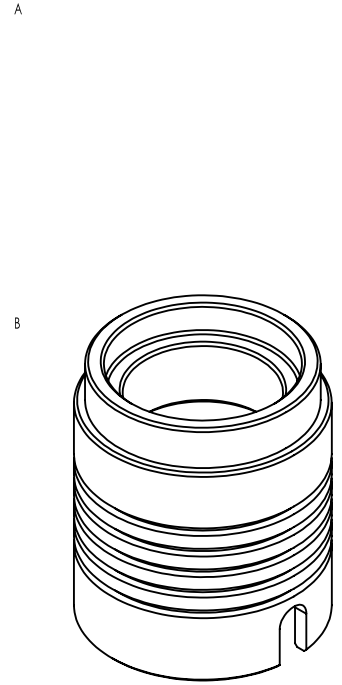
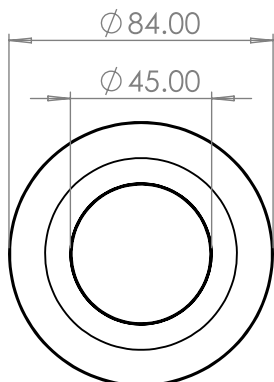
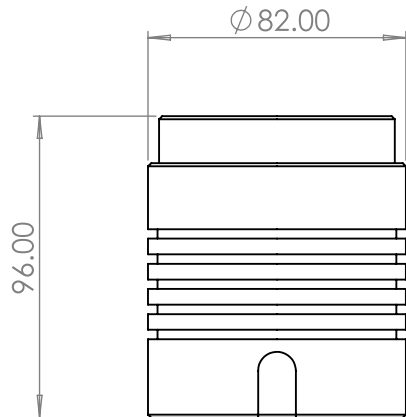
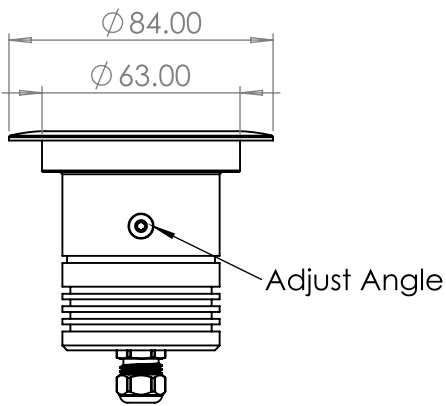


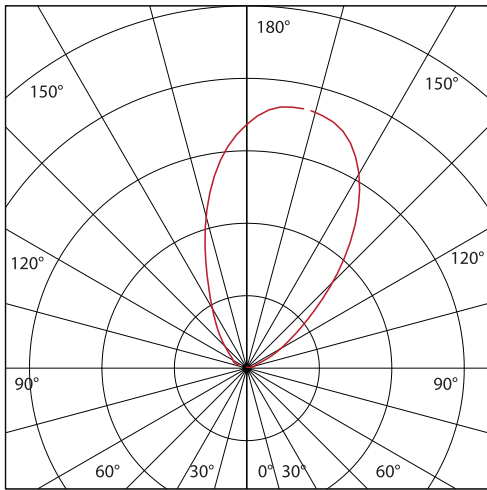


- Code Product: HKD-AS-3W
- Dimension: Ø84 x H96mm. Cut-out: Ø82mm
- Input Voltage: 24VDC
- Power consumption: 3W
- Luminous Flux: 240 Lm at 3000K, 60°
- Brand of LEDs: LED CREE
- Color: 3000K (Other color: 2700 - 6000K, RGBW)
- Beam Angle: 36° (10°, 24°, 36°, 45°, 60°) with Twin +/-20°
- Function Dimmer: PWM on Power
- Material: IP67-Body: Aluminium Anode ; Face: Stainless 316
- Finishing (Color housing): Stainless
- Class: III



- LED lifetime: 50.000hrs
- Lens: Clear Cellular Sand | Material PMMA with UV protection
- Standards:
 - +EMC protection
 - +IEC 62031 LED modules for general lighting Safety specifications
 - +IEC 60598 Luminaires – Parts 1+2: General requirements particular requirements and tests



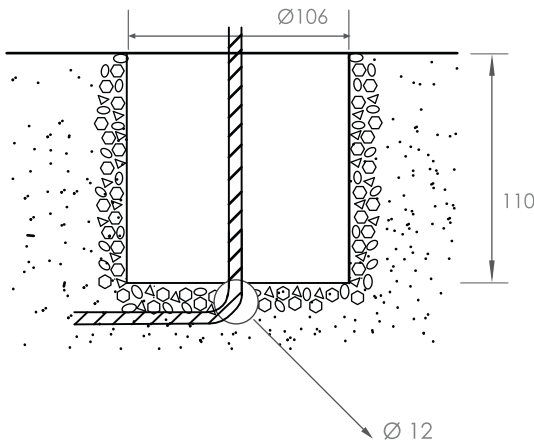


Product Description

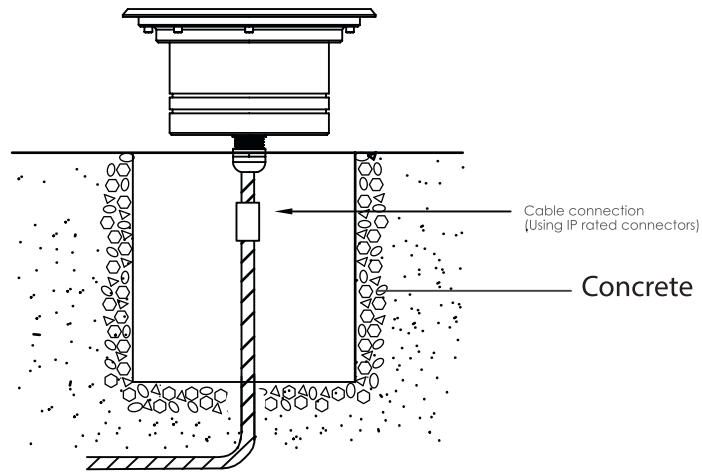
Control Gear	Fairchild Technology
LED Module	High-power LEDs on metal-core PCB. Collimating lens made of optical polymer/pmma
Anti-Glare	Option
Electrical Protection	EMC, inrush current
Electrical Class	3

INSTALLATION INSTRUCTIONS

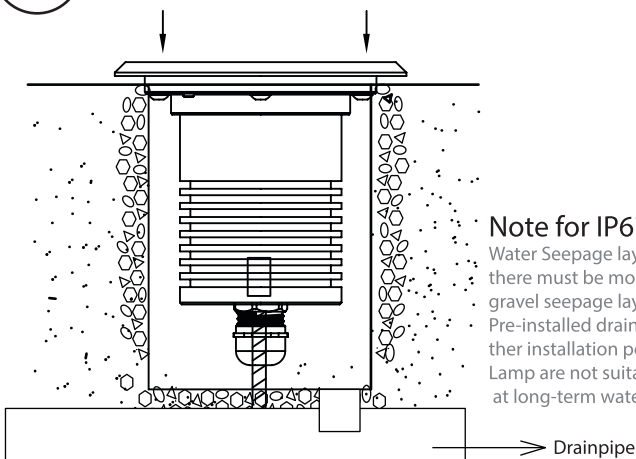
1



2

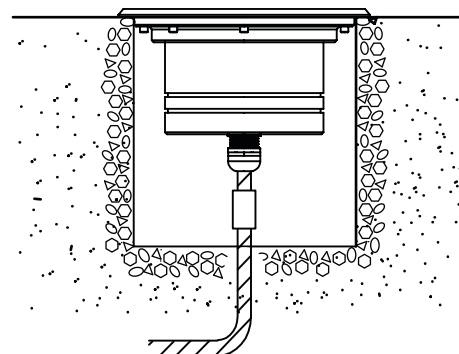


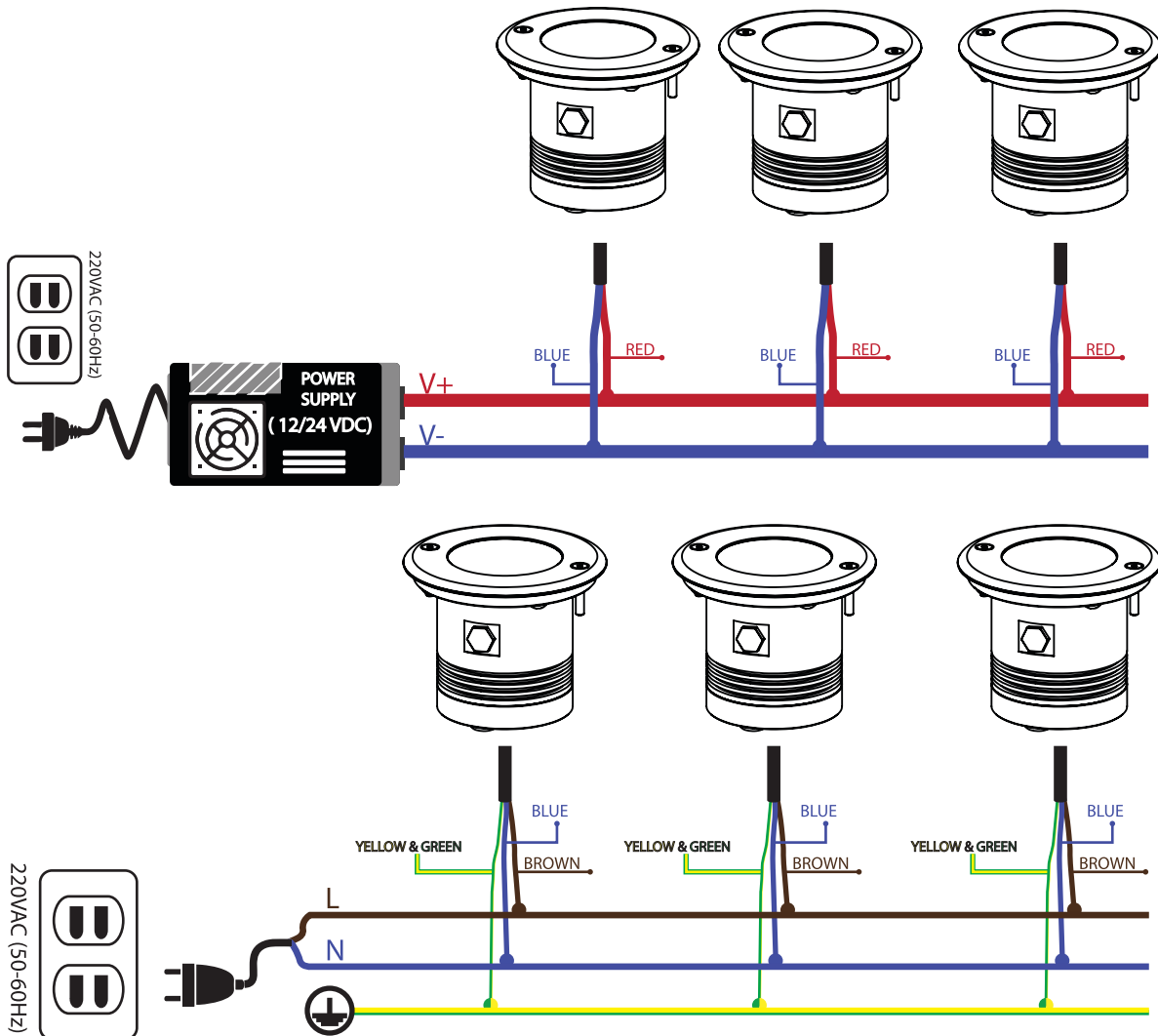
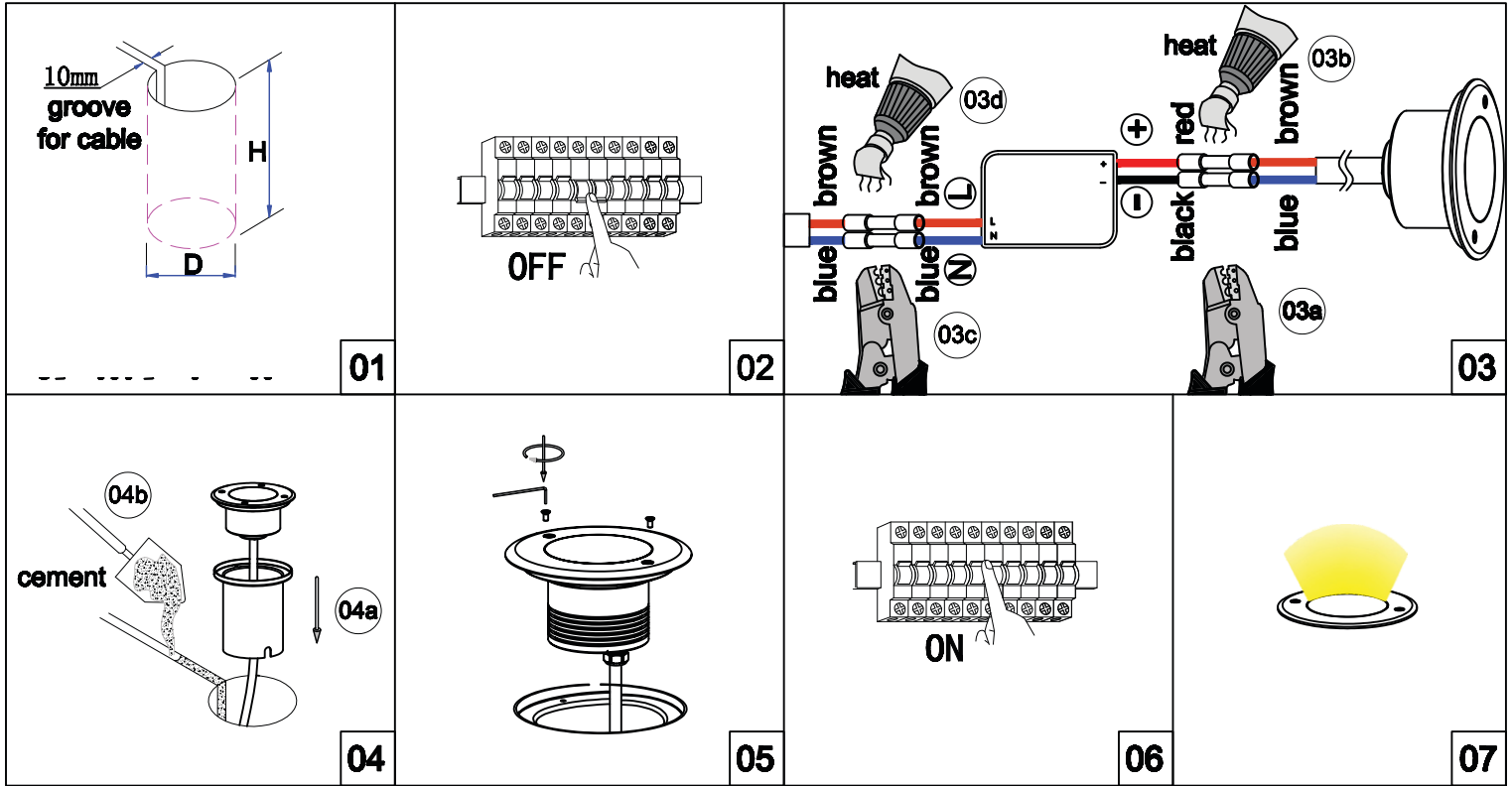
3



Note for IP67:
Water Seepage layer
there must be more than 20 cm
gravel seepage layer or
Pre-installed drainage pipe under
their installation position.
Lamp are not suitable for installation
at long-term water soaked position

4







Light up with us!



HOTLINE

090 3030 555

HKD LIGHTING COMPANY LIMITED

 44 Nguyen Dinh Chieu Street, Tan Dinh Ward, Ho Chi Minh City, Viet Nam

 +84 28 3910 6667  hkdlighting@hkd.com.vn  www.hkd.com.vn